

5GBASE-T MAGNETICS MODULES

5GYT002

Features:

- Compliant with IEEE 802.3 standard
- Qualified with top 5Gig PHY Manufacturer
- RoHS peak reflow temperature rating: 245°C
- Operating temperature -40°C to +85°C
- Low profile package for PCI Express
- Minimum interwinding breakdown voltage of 1500Vrms

Electrical Specifications @ 25°C

Insertion loss: 100KHz -3.0 dB MAX
 1-300MHz -1.5 dB MAX

Return Loss:

(Z OUT = 100 OHM ± 1%)

1 MHz-100 MHz -18 dB MIN

100-300 MHz -10 dB MIN

Crosstalk : 1-100 MHz -40 dB MIN

100-300 MHz -30 dB MIN

Common mode rejection ratio:

1 -100 MHz -35 dB MIN

100-300 MHz -30 dB MIN

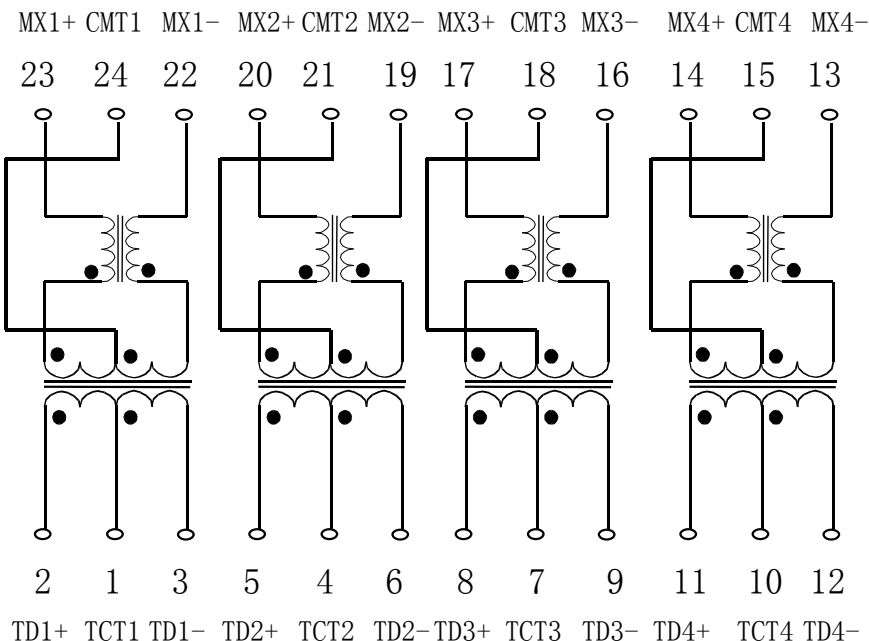
Common to differential mode rejection(CDMR):

1 MHz-125 MHz -35 dB MIN

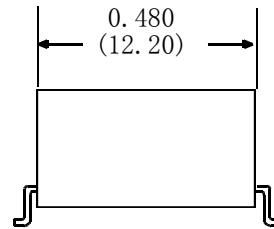
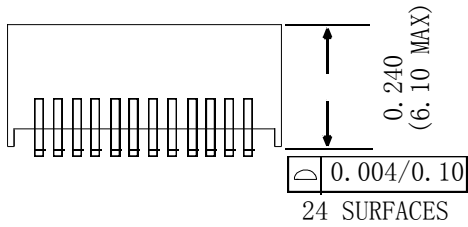
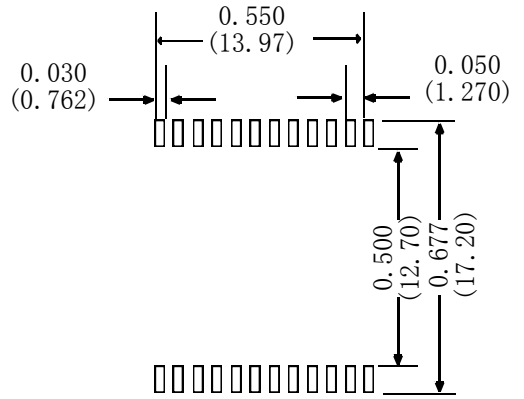
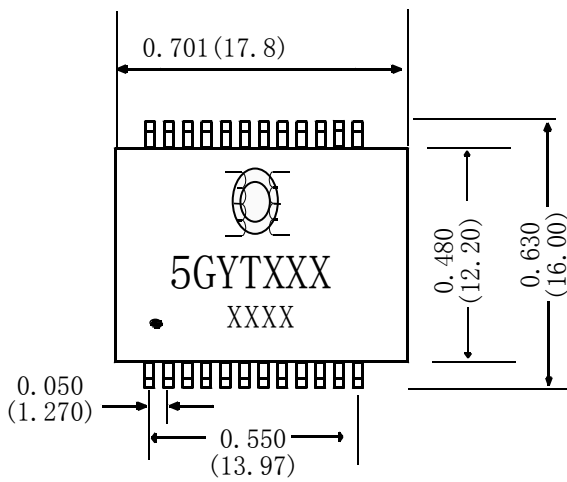
125 MHz-300 MHz -30 dB MIN

Note: f is frequency in MH

Schematics



Mechanicals



NOTE: Dimensions: inches/(mm) unless otherwise specified all tolerances are $\pm 0.010(0.25)$