

# 10GBASE-T MAGNETICS MODULES

---

## 10GYT003

### Features:

- Compliant with IEEE 802.3 standard
- Qualified with top 10Gig PHY Manufacturer
- RoHS peak reflow temperature rating: 245°C
- Operating temperature -40°C to +85°C
- Low profile package for PCI Express
- Minimum interwinding breakdown voltage of 1500Vrms

### Electrical Specifications @ 25°C

Insertion loss: 100 KHz -3.0 dB MAX  
 1-500 MHz -1.0 dB MAX

#### Return Loss:

(Z OUT =100 OHM ±1% )

1 MHz-40 MHz -18 dB MIN  
 40-500 MHz  $-17+10*\text{LOG}_{10}(f/40)$  dB MIN

Crosstalk : 1-100 MHz -40 dB MIN  
 100-500 MHz -30 dB MIN

Common mode rejection ratio: 1-100 MHz -35 dB MIN  
 100-300 MHz -30 dB MIN  
 300-500 MHz -25 dB MIN

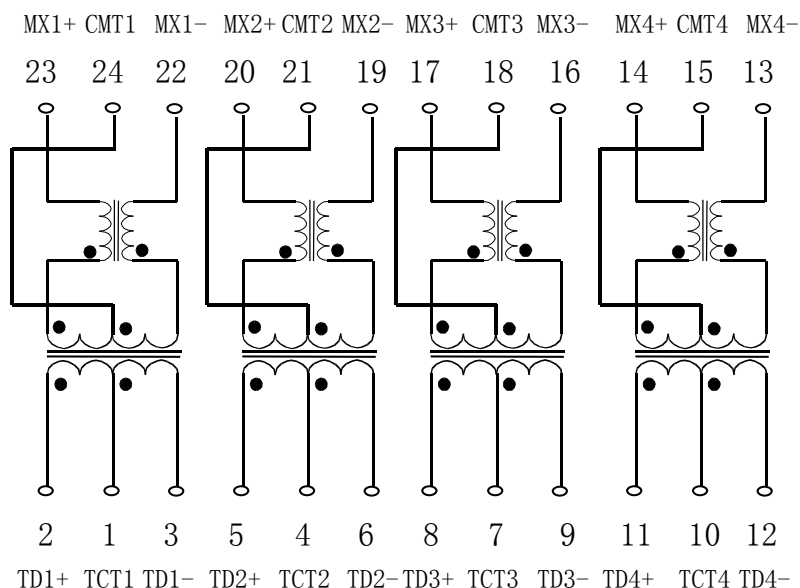
#### Common to differential mode rejection(CDMR):

1-125 MHz -30 dB MIN  
 125-500 MHz -22 dB MIN

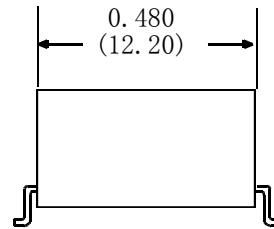
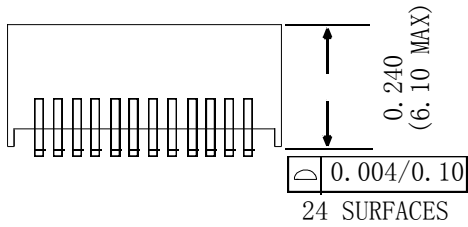
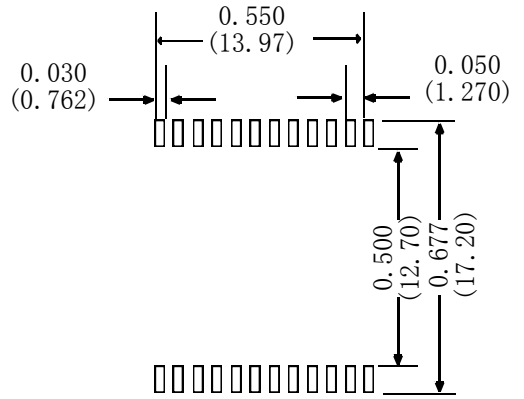
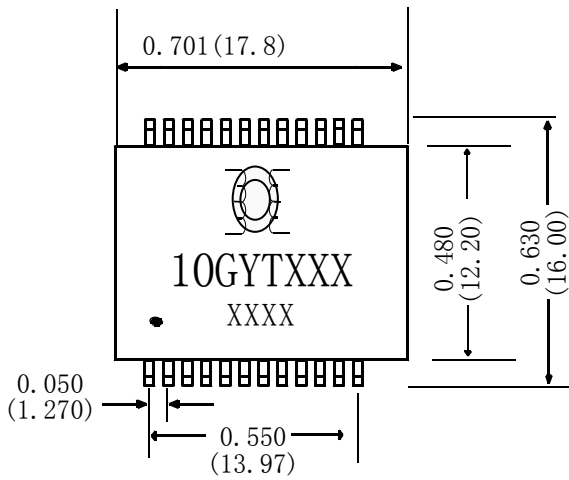
Note: f is frequency in MH

### Schematics

---



## Mechanicals



**NOTE: Dimensions: inches/(mm) unless otherwise specified all tolerances are  $\pm 0.010(0.25)$**