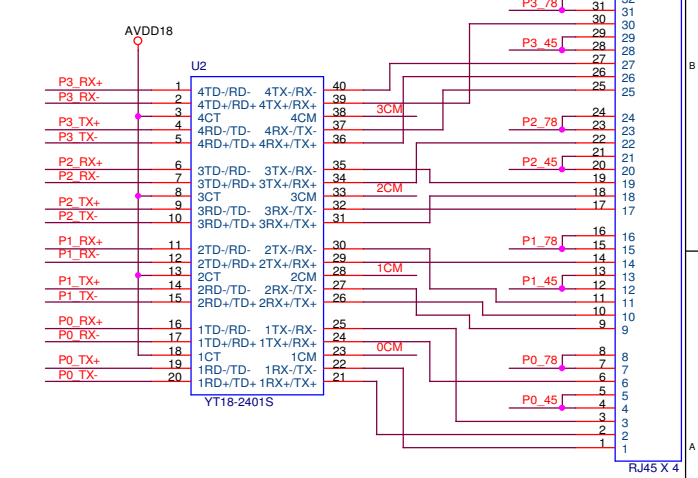
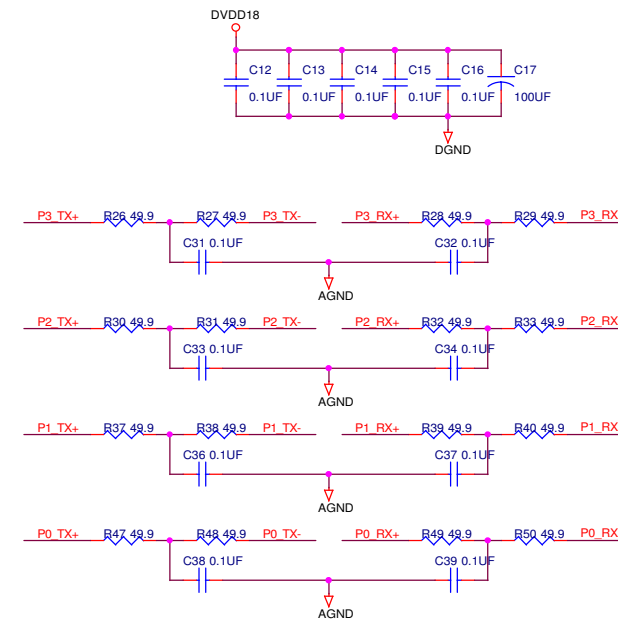
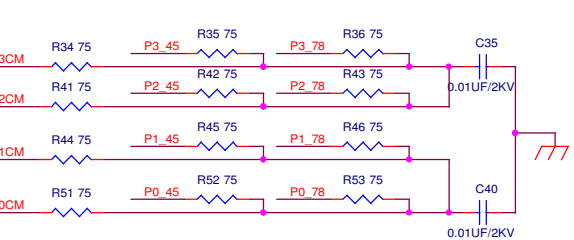
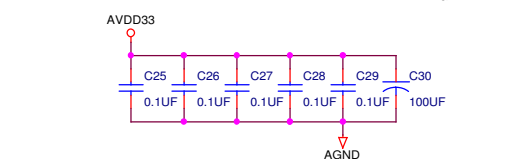
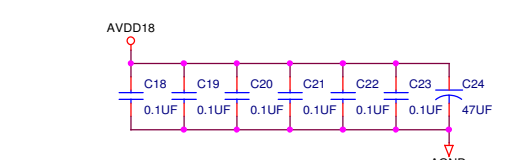
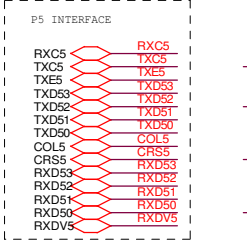
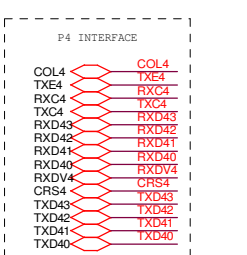
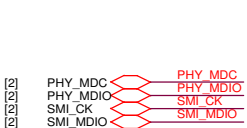
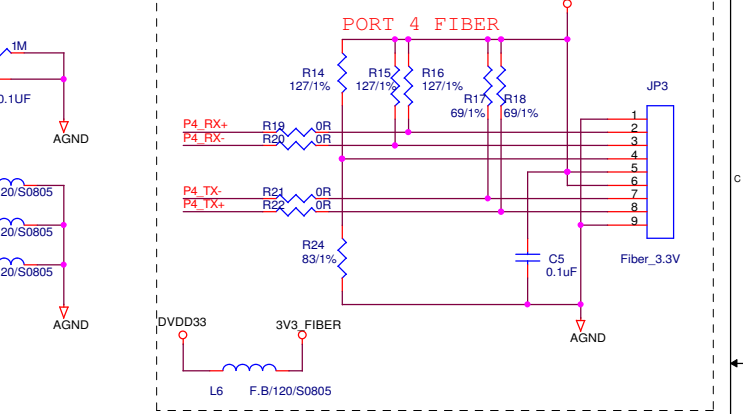
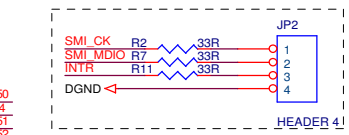
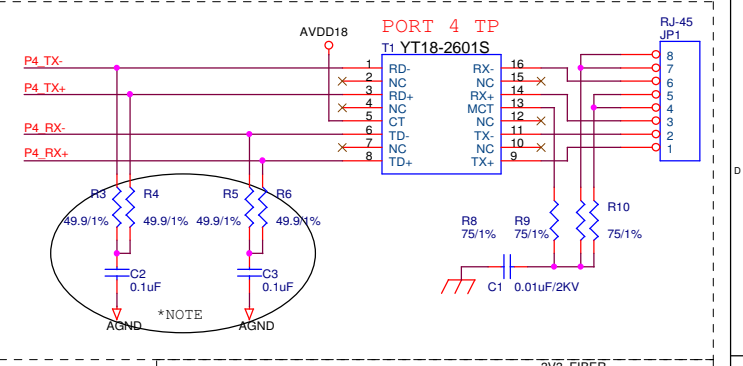


Choose TP or Fiber to use
WHEN USE FIBER MODULE, MUST CHANGE
DM8606C PART OF THE TP COMPONENT

R3	182R/1%
R4	182R/1%
R5	83R/1%
R6	83R/1%
C2	0R
C3	0R

*NOTE



Davicom Semiconductor Inc			
Title	DM8606C M3 MODE DEMO BOARD		
Size	Document Number		Rev
A3	DM8606C_MAIN		2.0
Date:	Wednesday, October 19, 2011	Sheet	1 of 3

VER	DATE	ENGINEER	NOTE
1.0	11/16/2010	MARCO FAN	NEW CIRCUIT
2.0	01/31/2011	MARCO FAN	Modify: 1. RXD0 Connect 4.7K to DGND 2. Dual LED add 10K fix Dual LED bug 3. IC pin define error , pin98 & pin100 Exchange

Davicom Semiconductor Inc		
Title DM8606C M3 MODE DEMO BOARD		
Size A3	Document Number HISTORY	Rev 2.0
Date: Wednesday, October 19, 2011	Sheet 3	of 3