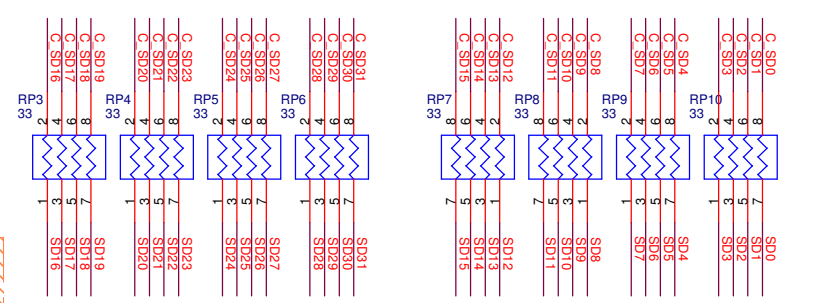
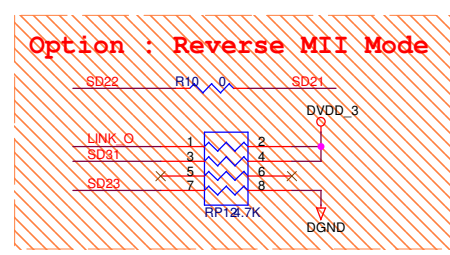
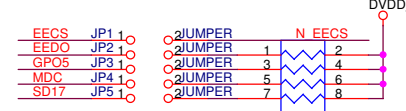
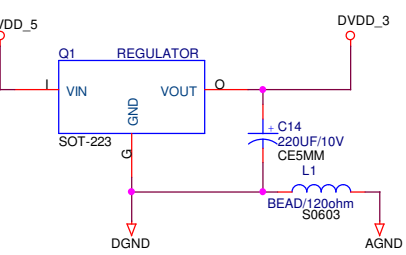


- JUMP FUNCTION SELECT**
- JP1: (ON) Use EEPROM (OFF) Not use EEPROM
  - JP2: (ON) Use 32Bit Mode (OFF) Use 16Bit\_MII Mode
  - JP3: (ON) INT Open-Collect (OFF) INT Force Output
  - JP4: (ON) INT Active LOW (OFF) INT Active HIGH
  - JP5: (ON) Force MII Mode (OFF) Select MII Mode



<b>DAVICOM Semiconductor, Inc.</b>		
<b>Title</b> <b>DM9010B Evaluation board</b>		
Size	Document Number DM9010B_EVB.DSN	Rev 2.0
Date	Thursday, January 15, 2009	Sheet 1 of 1