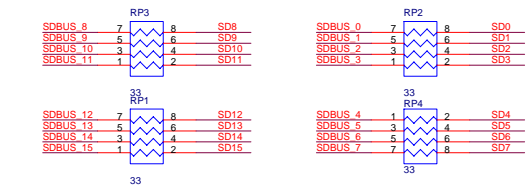
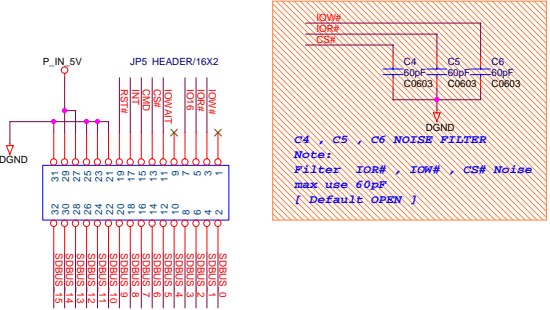


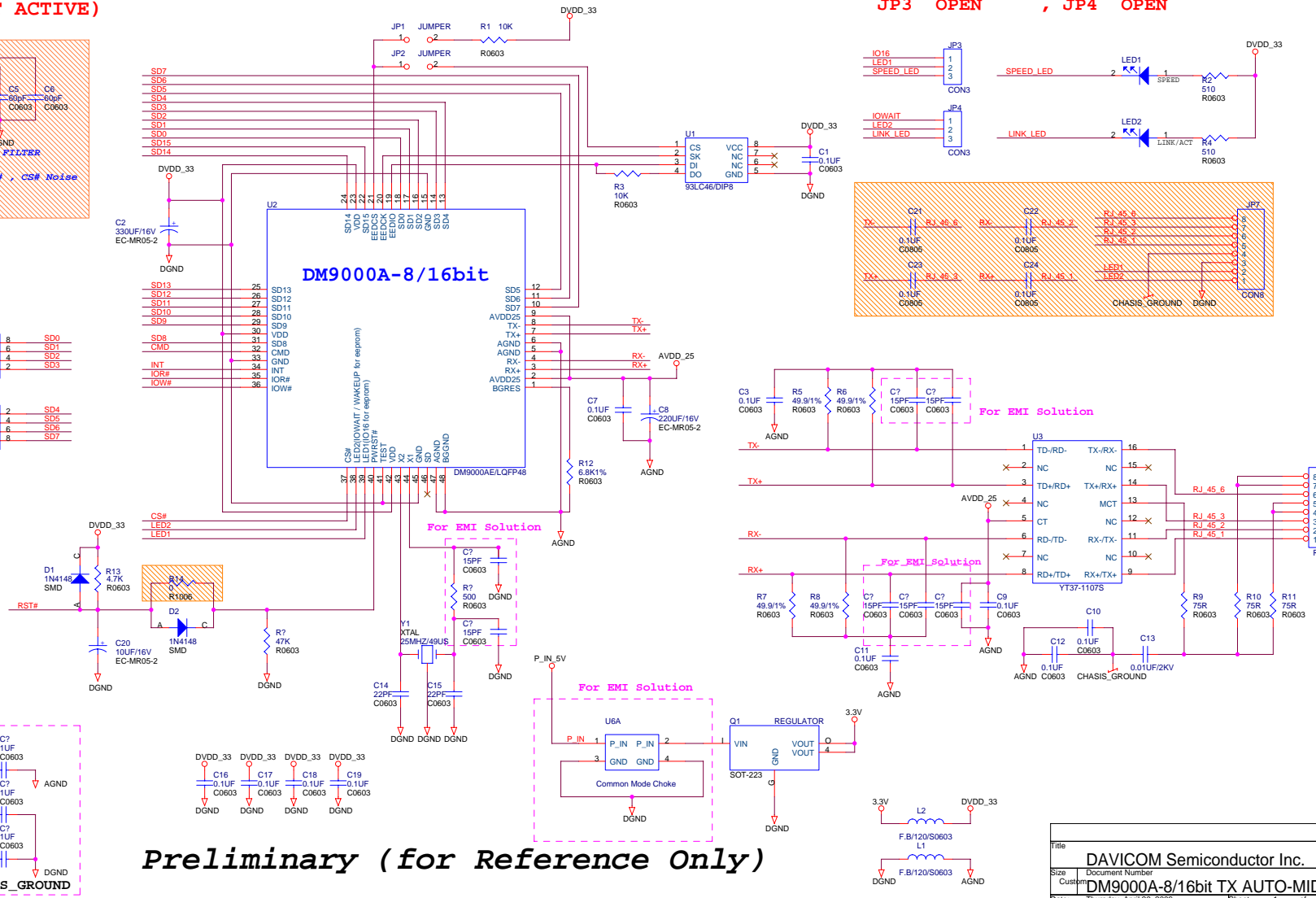
RST# LOW ACTIVE (POWER RESET)
CS# LOW ACTIVE (CHIP SELECT)
IOR# LOW ACTIVE (IO DATA READ)
IOW# LOW ACTIVE (IO DATA WRITE)
INT HIGH ACTIVE (INTERRUPT ACTIVE)

JP1 ON : USE 8 Bit MODE
 OFF : USE 16 Bit MODE
JP2 ON : USE EEPROM
 OFF : NOT USE EEPROM

FOR NORMAL SYSTEM
 JP3 2-3 SHORT , JP4 2-3 SHORT
FOR X86 ISA SYSTEM 16 Bit Mode TEST
 JP3 1-2 SHORT , JP4 2-3 SHORT
FOR MDC/MDIO 16 Bit Mode TEST
 JP3 OPEN , JP4 OPEN



SD0	SD0	SD0	SD0
SD1	SD1	SD1	SD1
SD2	SD2	SD2	SD2
SD3	SD3	SD3	SD3
SD4	SD4	SD4	SD4
SD5	SD5	SD5	SD5
SD6	SD6	SD6	SD6
SD7	SD7	SD7	SD7
SD8	SD8	SD8	SD8
SD9	SD9	SD9	SD9
SD10	SD10	SD10	SD10
SD11	SD11	SD11	SD11
SD12	SD12	SD12	SD12
SD13	SD13	SD13	SD13
SD14	SD14	SD14	SD14
SD15	SD15	SD15	SD15
			WAKE



Preliminary (for Reference Only)

Title		DAVICOM Semiconductor Inc.	
Size	Document Number	DM9000A-8/16bit TX AUTO-MIDX	
Custom	Rev	2.0	
Date:	Thursday, April 20, 2006	Sheet	1 of 1