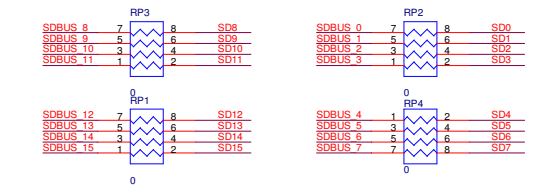
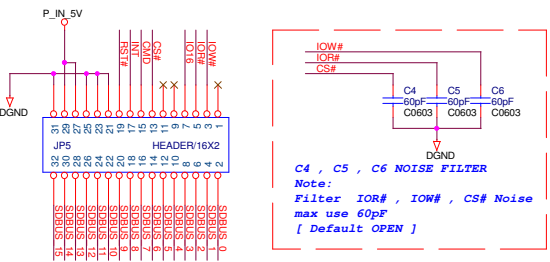


**RST# LOW ACTIVE (CHIP RESET)**  
**CS# LOW ACTIVE (CHIP SELECT)**  
**IOR# LOW ACTIVE (IO DATA READ)**  
**IOW# LOW ACTIVE (IO DATA WRITE)**  
**INT HIGH ACTIVE (INTERRUPT ACTIVE)**

**JP1 ON : USE 8 Bit MODE**  
**OFF : USE 16 Bit MODE**  
**JP2 ON : USE EEPROM**  
**OFF : NOT USE EEPROM**  
**JP7 ON : INT LOW ACTIVE**  
**OFF : INT HIGH ACTIVE**

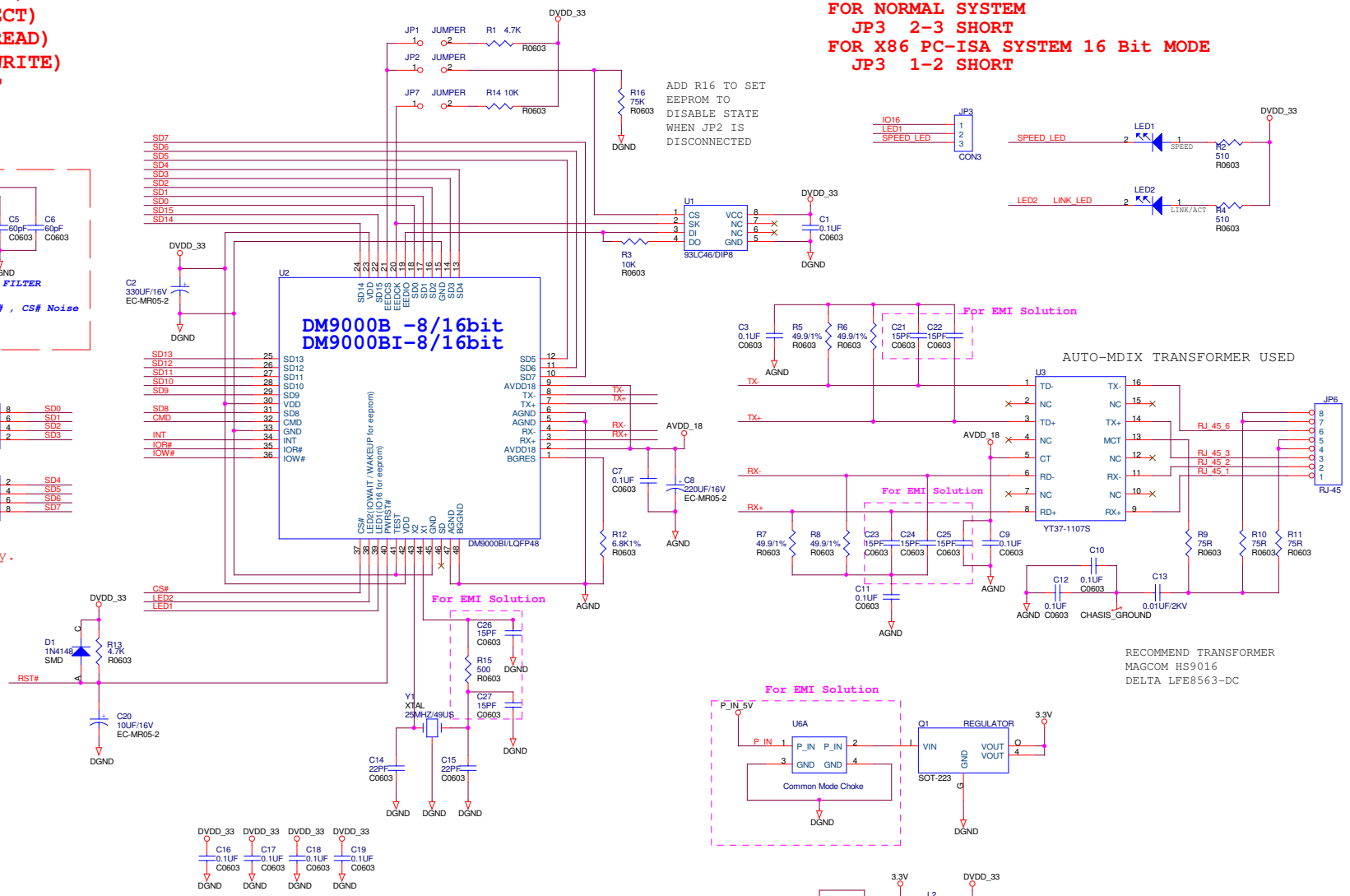
**FOR NORMAL SYSTEM**  
**JP3 2-3 SHORT**  
**FOR X86 PC-ISA SYSTEM 16 Bit Mode**  
**JP3 1-2 SHORT**



\* OPTION: for SD bus noise modify.

**DATA BUS CONNECTOR**  
16 Bit Mode 8 Bit Mode

CIRCUIT NET	16 BIT	8 BIT
SD0	SD0	SD0
SD1	SD1	SD1
SD2	SD2	SD2
SD3	SD3	SD3
SD4	SD4	SD4
SD5	SD5	SD5
SD6	SD6	SD6
SD7	SD7	SD7
SD8	SD8	GP1
SD9	SD9	GP1
SD10	SD10	GP1
SD11	SD11	GP1
SD12	SD12	GP1
SD13	SD13	GP1
SD14	SD14	LED3
SD15	SD15	WAKE



**Preliminary (for Reference Only)**

Title: DAVICOM Semiconductor Inc.		
Size: Custom	Document Number: DM9000B/B1-8/16bit TX AUTO-MIDX	Rev: 1.2
Date: Monday, March 16, 2009	Sheet: 1	of 1