

10M/100M/1000M Base-T RJ45 2xN Integrated Connector Modules

YL3J981A: ELECTRONICAL CHARACTERISTICS @ 25°C

1. Turns Ratio($\pm 2\%$)

TX=1CT:1CT RX=1CT:1CT

2. OCL @ 100kHz/100mV RMS

8 mA DC BIAS 350uH MIN

3. Insertion Loss:

-0.8dB Max @ 1.0-100MHz

4. Return Loss :

-20dB Min @1-40MHz

-17dB Min @60MHz

-14dB Min @100MHz

5. Cross alk:

-40dB Min @1-30MHz

-35dB Min @30-60MHz

-30dB Min @60-100MHz

6. Common Mode Rejection:

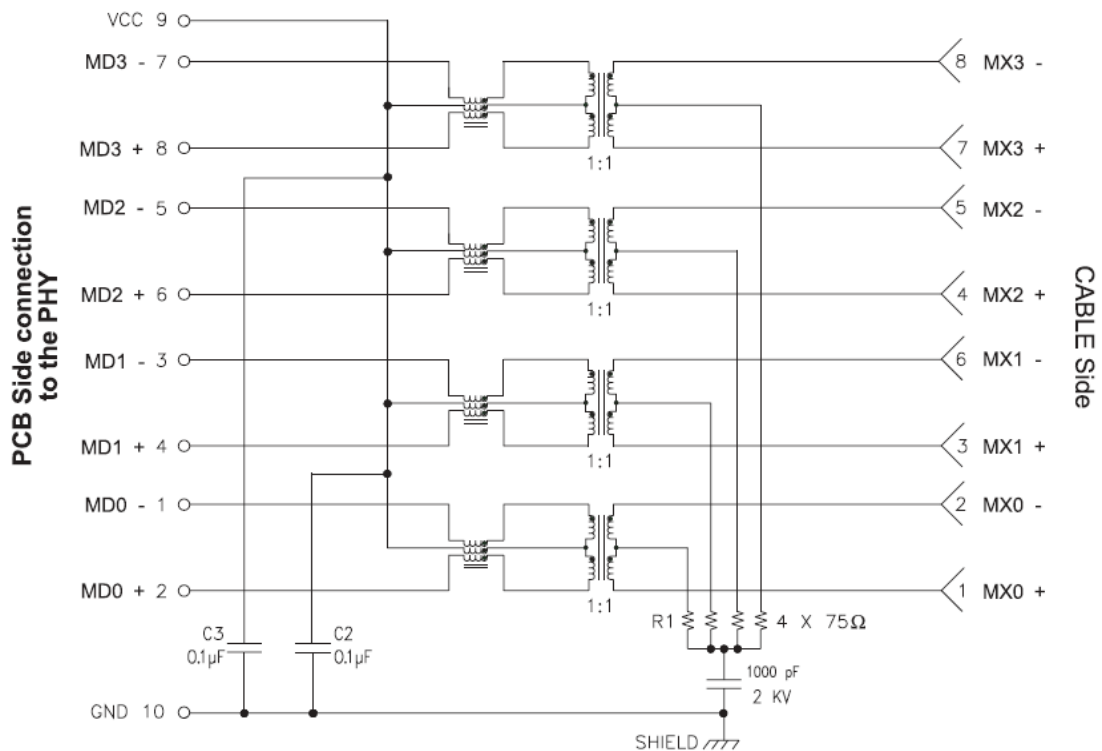
-50dB Min @1-10MHz

-40dB Min @10-150MHz

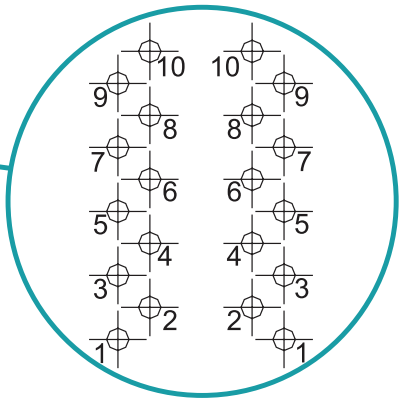
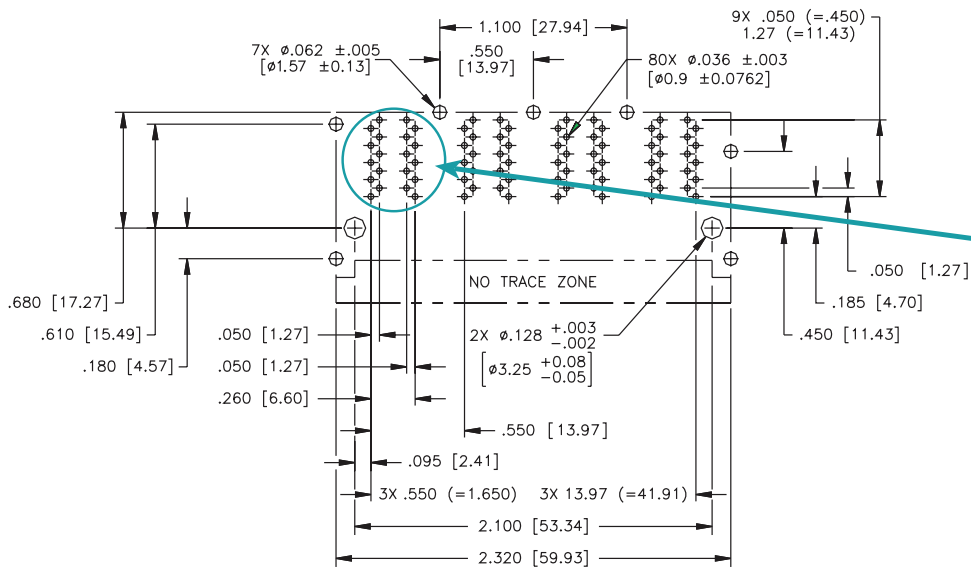
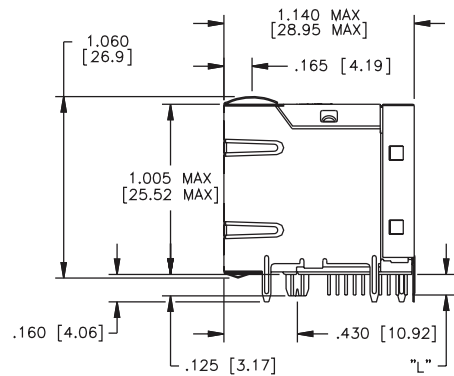
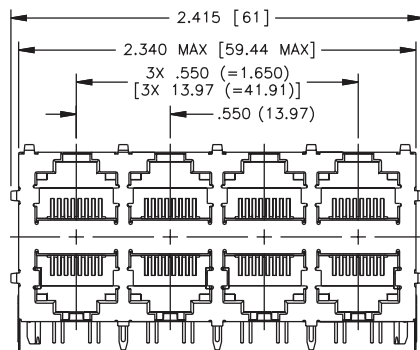
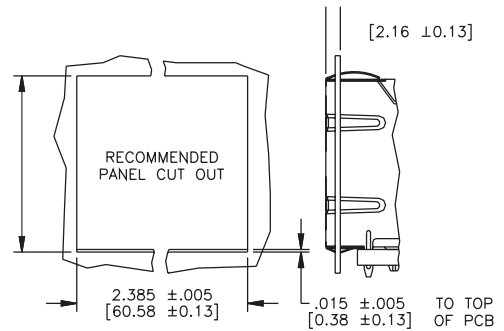
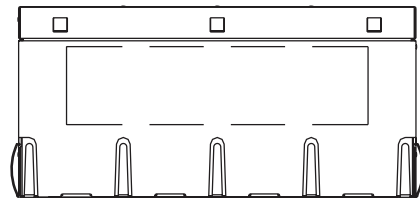
7. Operating temperature 0°C to 70°C

8. HIPOT (Isolation Voltage): 2250Vrms

Schematic:



Mechanical:



Pin-out Assignment

SUGGESTED PC BOARD LAYOUT VIEWED FROM COMPONENT SIDE
UNLESS OTHERWISE SPECIFIED DIMENSIONAL TOLERANCE IS ±.002