

10T Integrated Connector Modules

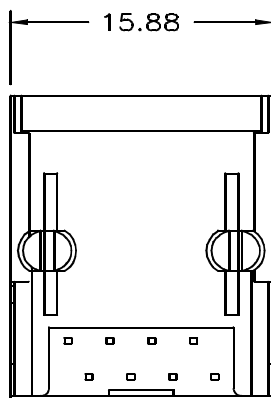
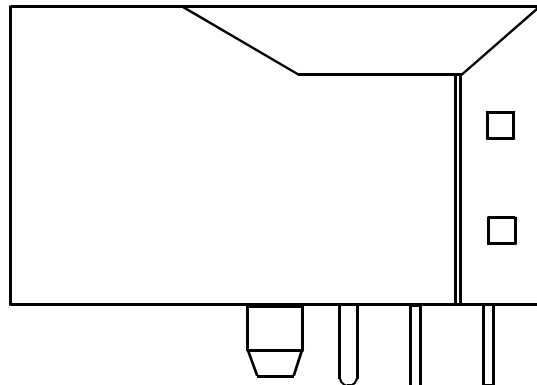
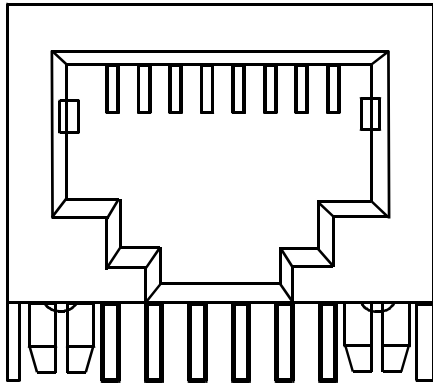
Features:

- Single port RJ-45 connector with integrated 10M magnetics
- Operating temperature 0°C to 70°C
- Minimum interwinding breakdown voltage of 1500Vrms

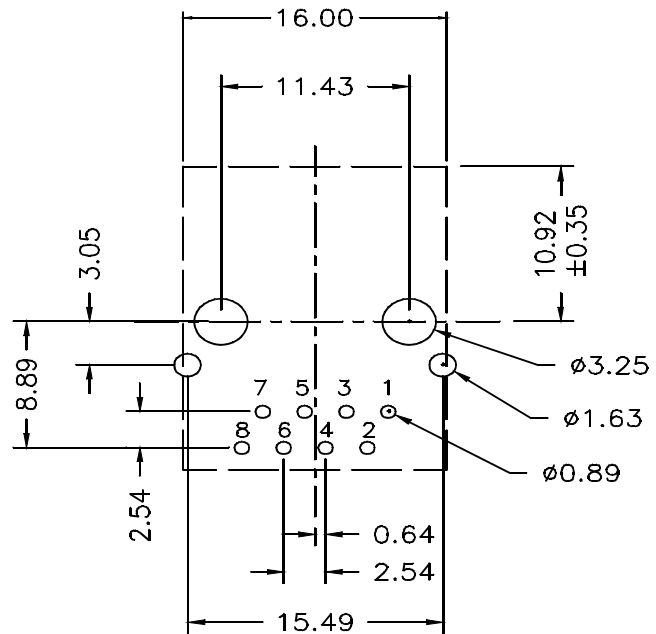
Electrical Specifications @ 25°C

Part Number	Turns Ratios		LED(L/R)	EMI Fingers
	TX	RX		
YL1J001A	1CT:1CT	1CT:1CT	No	No
YL1J003A	1CT:1CT	1CT:1CT	No	No
YL1J005A	2.5:1CT	1:1CT	No	No

Mechanical:



(Bottom View)

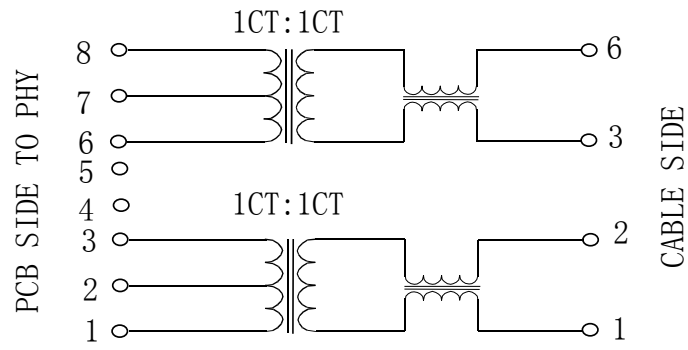


(Comp Side View)

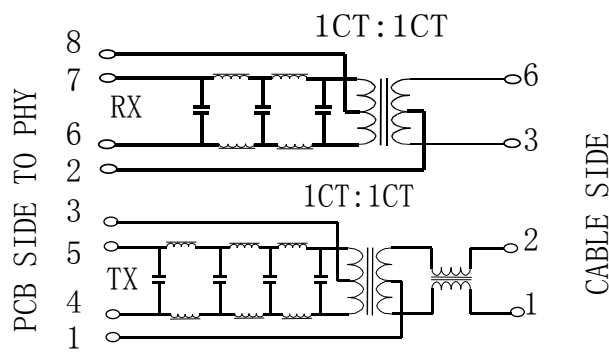
NOTE:Dimensions:mm unless otherwise specified all tolerances are ± 0.25

Schematic:

YL1J001A



YL1J003A



YL1J005A

