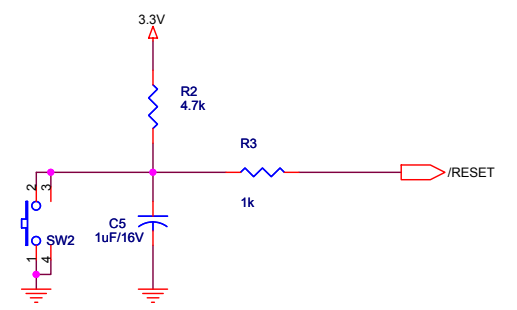
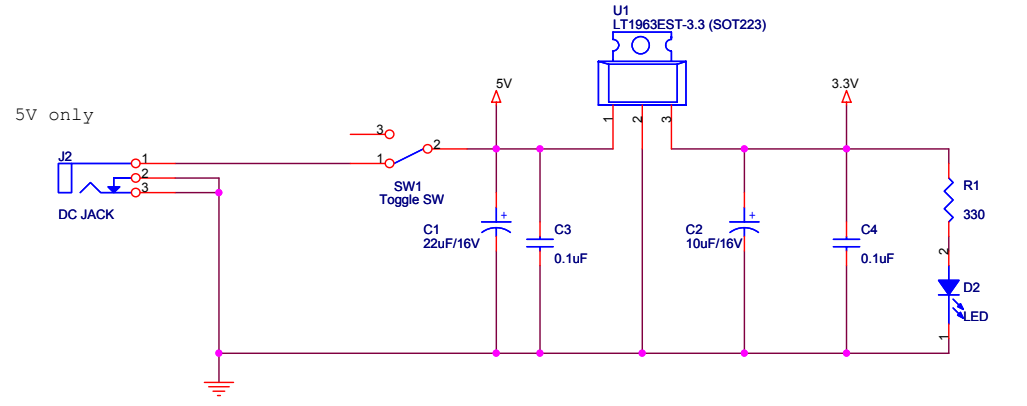
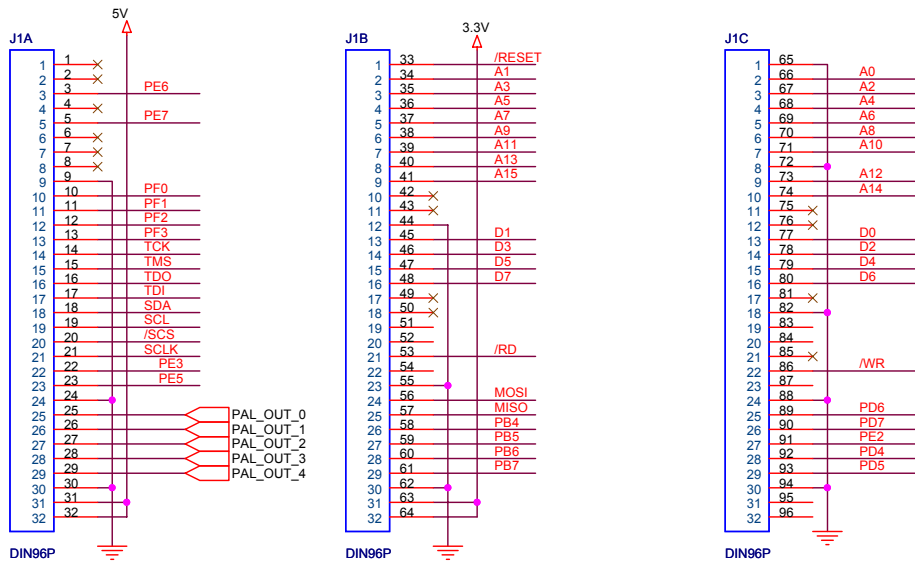
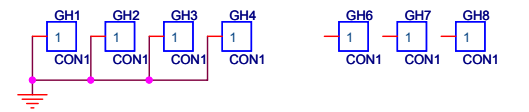
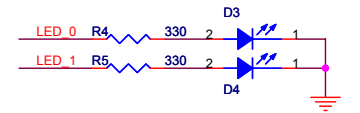
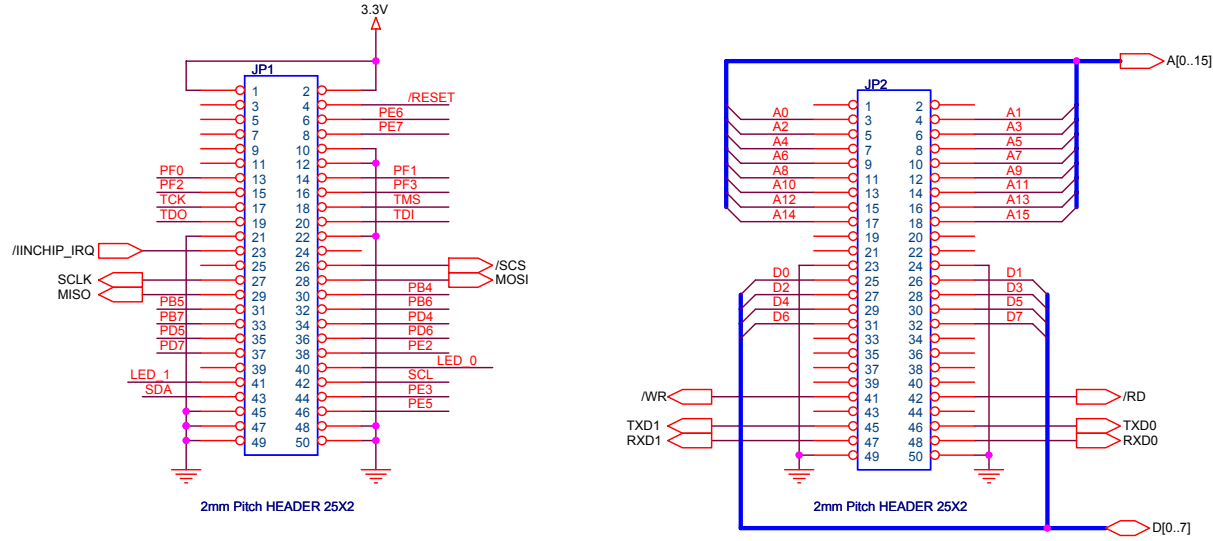


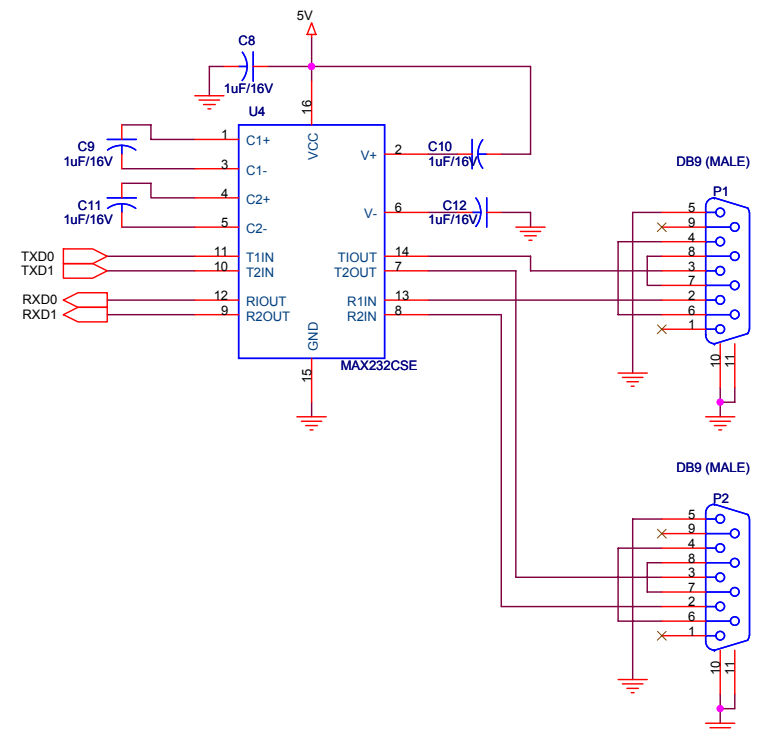
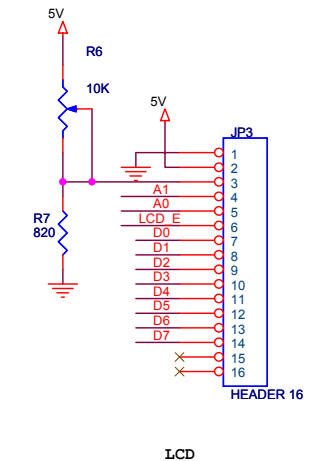
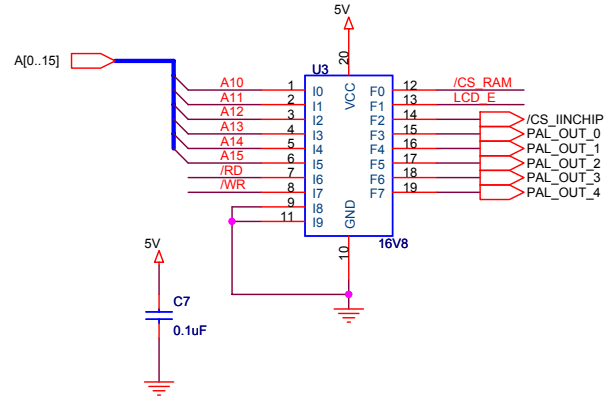
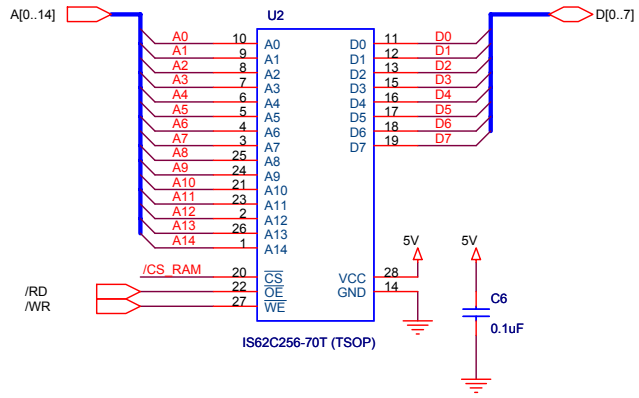
### Expanded Board Interface



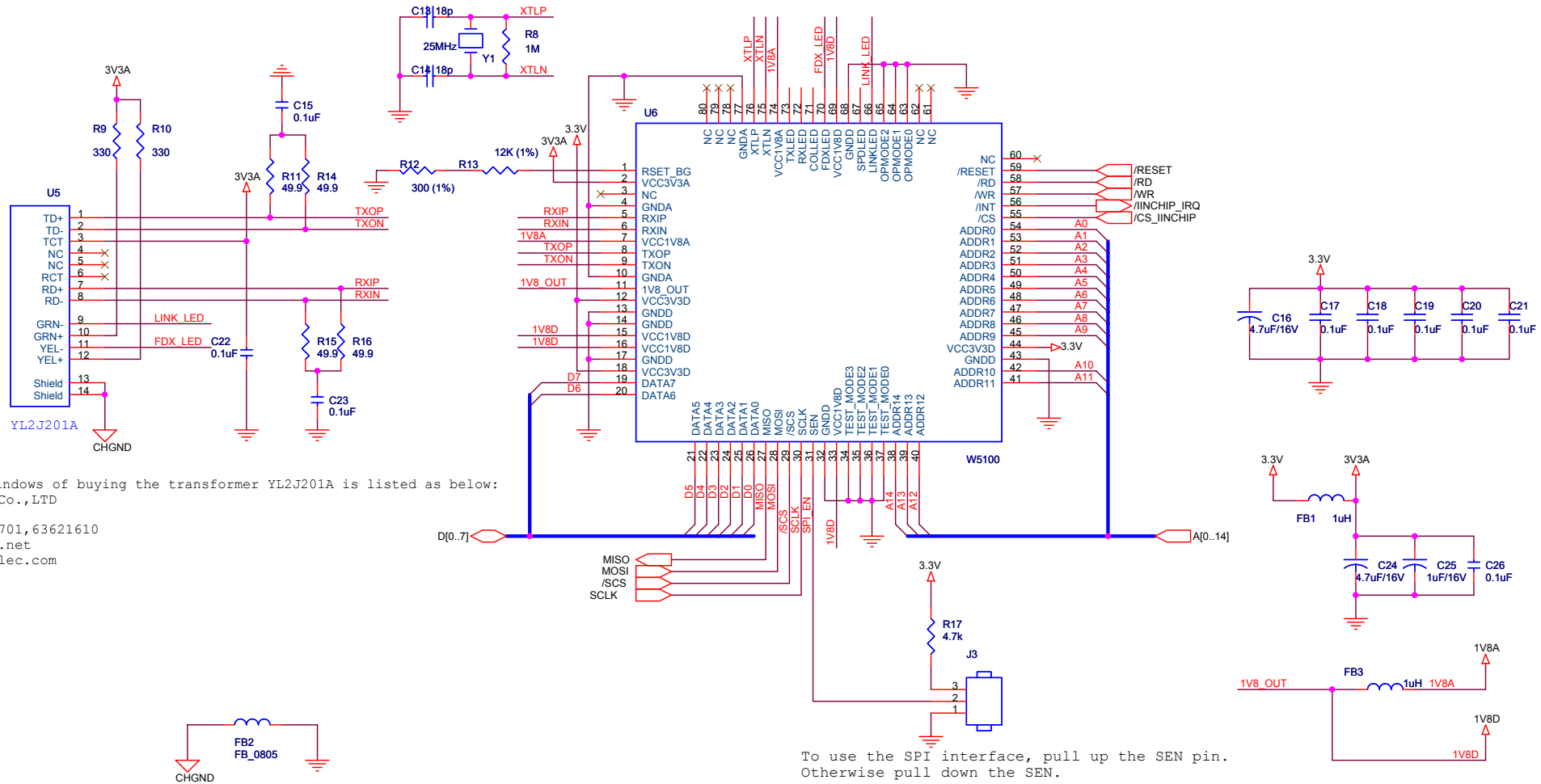
### PM-A1 Module Interface



Title		
W5100E01-AVR		
Size	Document Number	Rev
B	<Doc>	1.0
Date:	Saturday, August 11, 2012	Sheet 1 of 3



Title		
W5100E01-AVR		
Size	Document Number	Rev
B	<Doc>	1.0
Date:	Saturday, August 11, 2012	Sheet 2 of 3



NOTE: The contact windows of buying the transformer YL2J201A is listed as below:  
 YuTai Electronics Co.,LTD  
 Name: Victor Luo  
 TEL: 0086-574-63620701, 63621610  
 EMAIL: nico\_yu@yeah.net  
 Http://www.yutai-elec.com

To use the SPI interface, pull up the SEN pin.  
 Otherwise pull down the SEN.

Title		
W5100E01-AVR		
Size	Document Number	Rev
B	<Doc>	1.0
Date:	Saturday, August 11, 2012	Sheet 3 of 3