


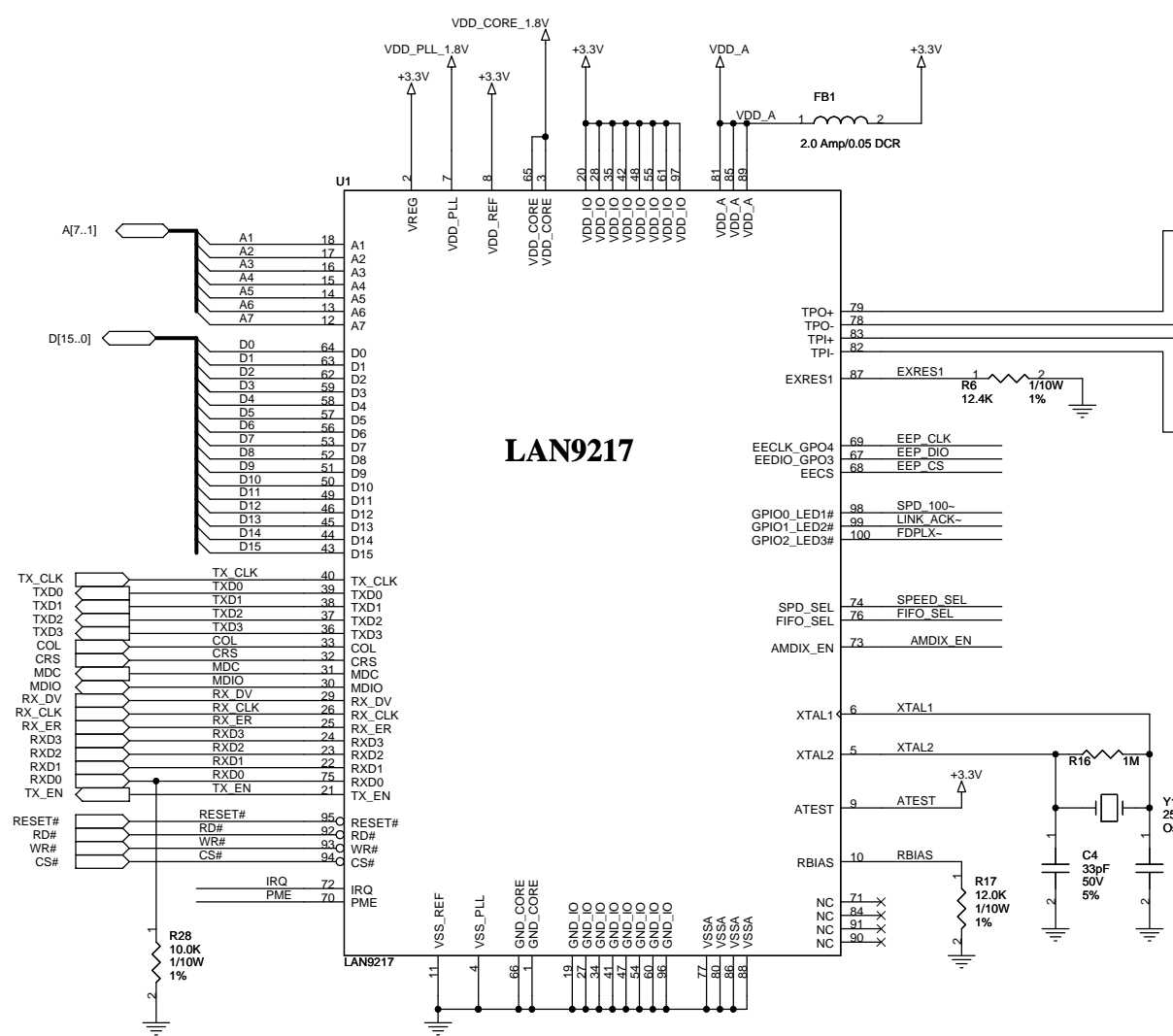
LAN9217 Reference Schematic

Schematic Revision 0.5

ITEM	Page
Title Page	1
LAN9217 Reference Schematic	2

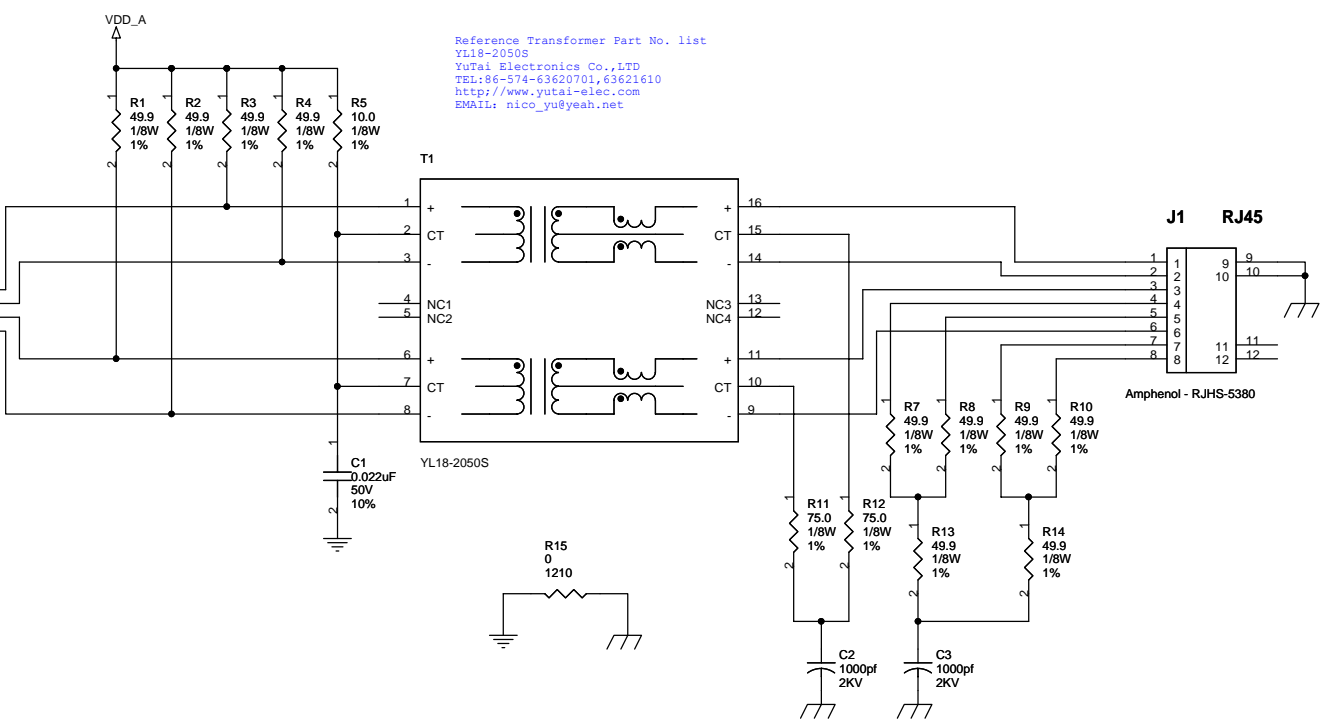
Circuit diagrams utilizing SMSC products are included as a means of illustrating typical semiconductor applications; consequently complete information sufficient for construction purposes is not necessarily given. The information has been carefully checked and is believed to be entirely reliable. However, no responsibility is assumed for inaccuracies. Furthermore, such information does not convey to the purchaser of the semiconductor devices described any license under the patent rights of SMSC or others. SMSC reserves the right to make changes at any time in order to improve design and supply the best product possible.

			
Title LAN9217 Reference Schematic			
Size C	Engineer N/A	Assembly No. N/A	Rev 0.5
Date: Tuesday, July 10, 2007		Sheet 1 of 2	



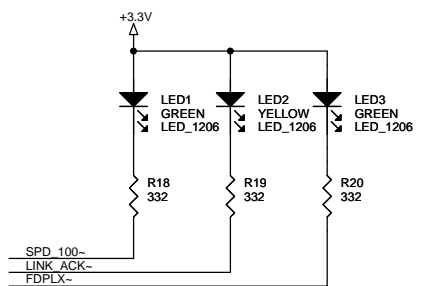
LAN9217

Reference Transformer Part No. list
 YL18-2050S
 YuTai Electronics Co.,LTD
 TEL:86-574-63620701,63621610
 http://www.yutai-elec.com
 EMAIL: nico_yu@yeah.net

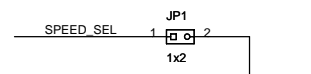


J1 RJ45

Amphenol - RJHS-5380



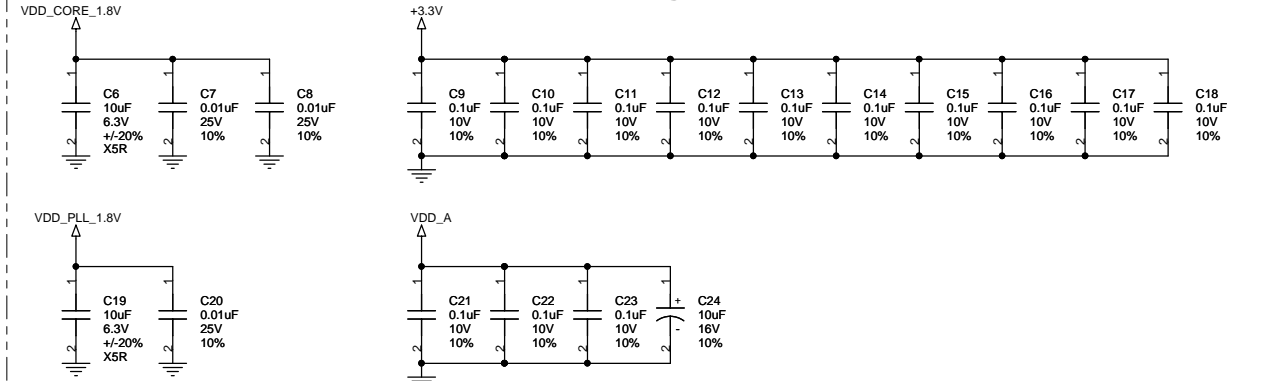
NOTE:
 IN = 10Mbps, Half-Duplex, Auto Neg. Disabled
 OUT = 100Mbps, Half-Duplex, Auto Neg. Enabled



NOTE:
 IN = Auto-MDIX Functionality Enabled
 OUT = Auto-MDIX Functionality Disabled

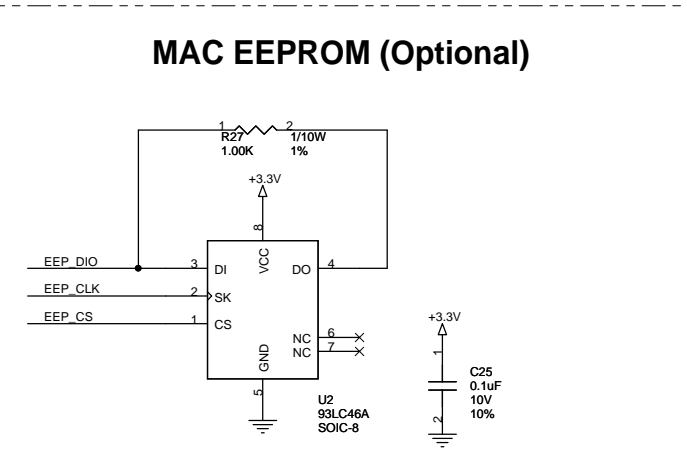


LAN9217 Decoupling Capacitors



NOTE:
 C6 and C19 must be low ESR capacitors. Ceramic is recommended.

MAC EEPROM (Optional)



SMSC
 SUCCESS BY DESIGN

Title: **LAN9217 Reference Schematic**

Size C	Engineer N/A	Assembly No. N/A	Rev 0.5
Date: Tuesday, July 10, 2007	Sheet 2 of 2		