


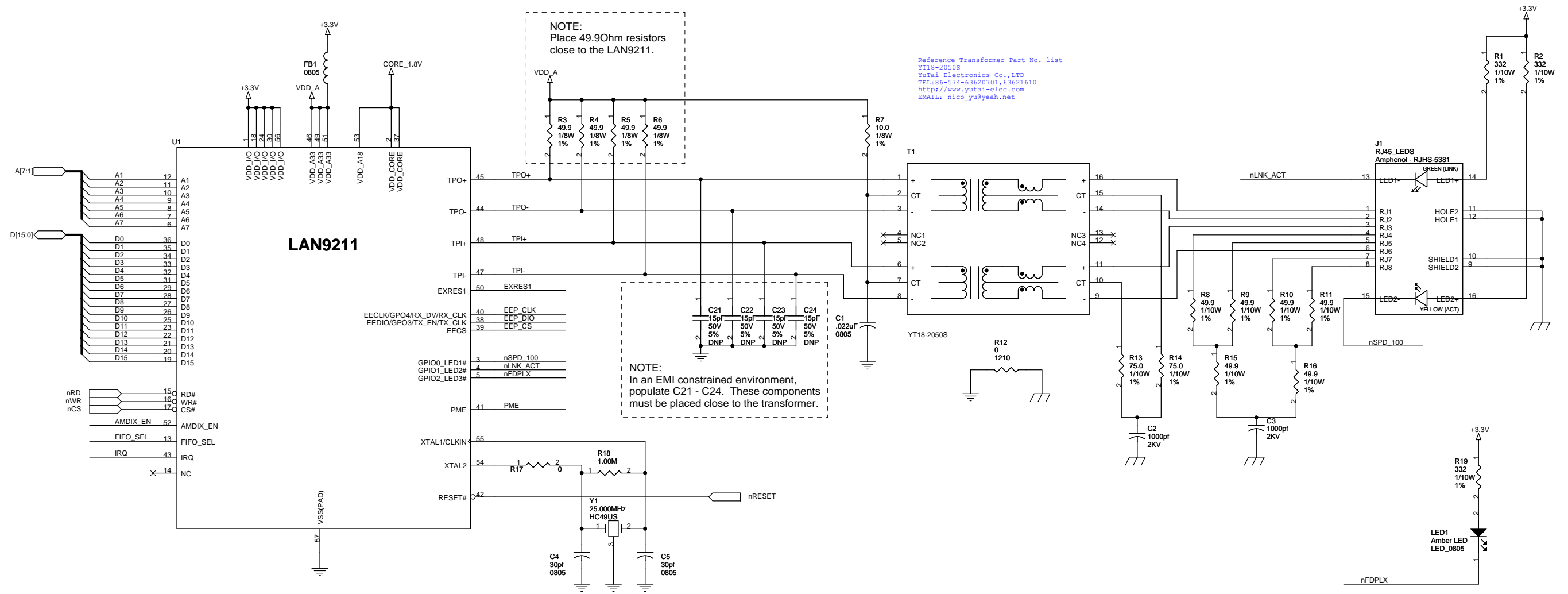
LAN9211 Reference Design

Revision 0.7

Circuit Diagrams utilizing SMSC Products Are Included As A Means Of Illustrating Typical Semiconductor Applications: Consequently Complete Information Sufficient For Construction Purposes Is Not Necessarily Given. The Information Has Been Carefully Checked And Is Believed To Be Entirely Reliable. However, No Responsibility Is Assumed For Inaccuracies. Furthermore, Such Information Does Not Convey To The Purchaser Of The Semiconductor Devices Described Any License Under The Patent Rights Of SMSC Or Others. SMSC Reserves The Right To Make Changes At Any Time In Order To Improve Design And Supply The Best Product Possible.

ITEM	Page(s)
Title Page	1
LAN9211	2

			
Title LAN9211 Reference Design			
Size C	Engineer S. Wynhurst	Assembly No.	Rev 0.7
Date: Wednesday, April 29, 2009		Sheet 1 of 2	

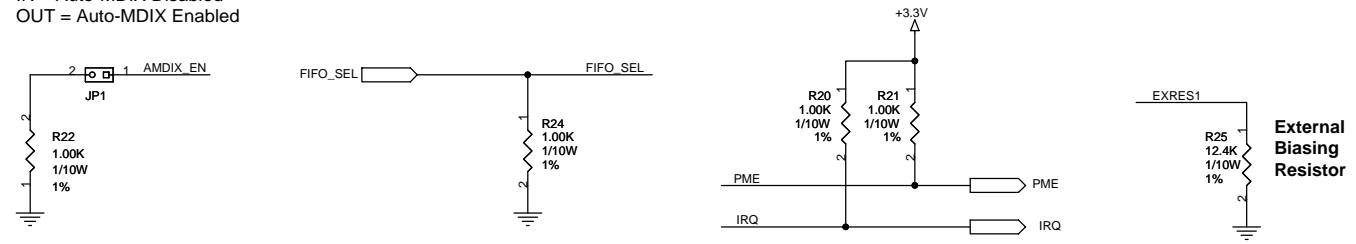


Reference Transformer Part No. list
 Y118-2050S
 YuTai Electronics Co.,LTD
 TEL:86-574-83620701,83621610
 http://www.yutai-elec.com
 EMAIL: nico_yu@yeah.net

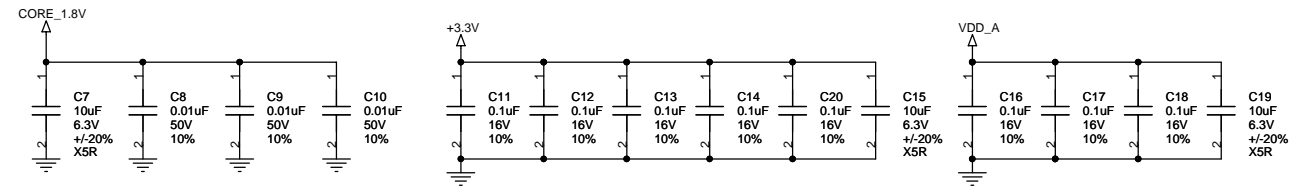
NOTE:
 Place 49.90hm resistors
 close to the LAN9211.

NOTE:
 In an EMI constrained environment,
 populate C21 - C24. These components
 must be placed close to the transformer.

NOTE:
 IN = Auto-MDIX Disabled
 OUT = Auto-MDIX Enabled



Decoupling Capacitors



MAC EEPROM (Optional)

