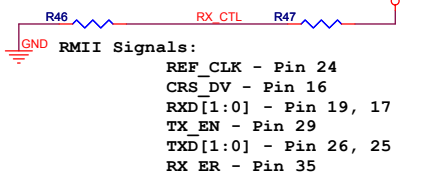


RTL8201N: Pull High for RMII mode

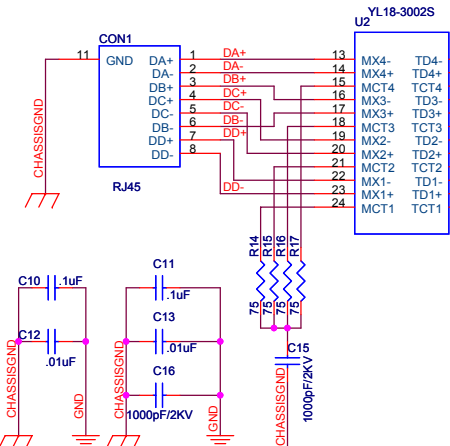
Pull Low for MII mode



RTL8201N: R5 (0 ohm)
RTL8211B: R5 (NC)

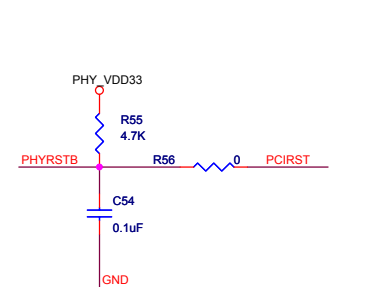
RTL8201N: R10,R11 (50 ohm),C4 (0.1uF)
RTL8211B: R10,R11,C4 (NC)

Reference Transformer Part No. list
YL18-3002S
YuTai Electronics Co.,LTD
TEL:86-574-63620701,63621610
http://www.yutai-elec.com
EMAIL: nico_yu@yeah.net

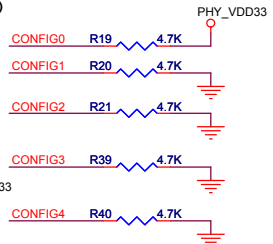


RTL8201N :R12,R13 (50 ohm),C14 (0.1 uF)
RTL8211B :R12,R13,C14 (NC)

RTL8201N :R18 (0 ohm)
RTL8211B :R18 (NC)



RTL8201N: R38 (1.5K)
RTL8211B: R38 (10K)

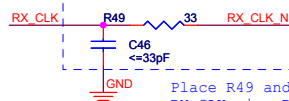


RTL8211B PHY address
set to 00001

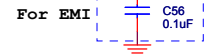
For wake on LAN function, please
mount R55, C54 and remove R56



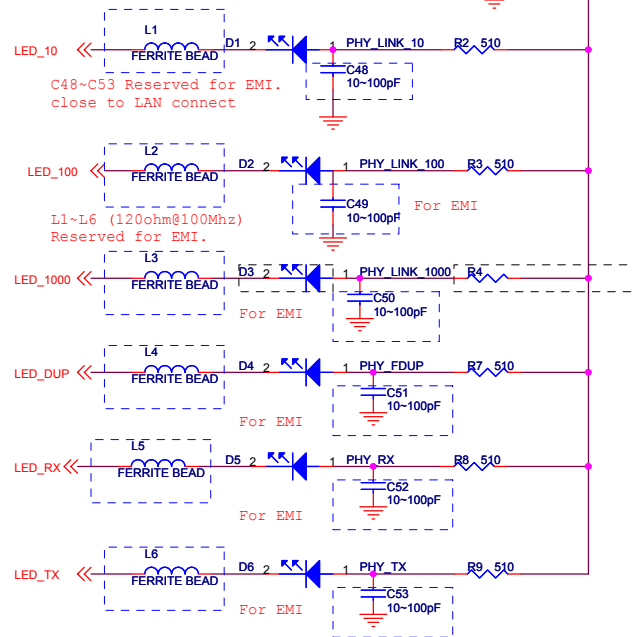
RTL8201N:R48~R53 (0 ohm)
RTL8211B:R48~R53 (33 ohm)
close to RTL8211B



RTL8201N:C46 (NC)
RTL8211B:R49(33 ohm),C46(<=33 pF)

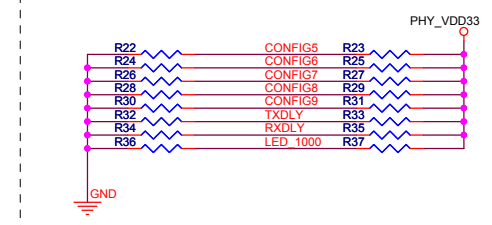
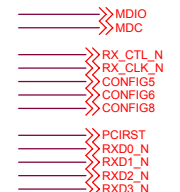


For EMI



RTL8201N: D3 (NC),R4 (NC),R37 (4.7K)
RTL8211B: D3,R4 (510 ohm),R37 (NC)

RTL8201N: R22 (4.7K),RPT
R24 (4.7K),MIIB/SNI
R27 (4.7K),Auto Negotiation
R28 (4.7K),UTPB/FXEN
R31 (4.7K),Speed 100Mbps
R33 (4.7K),Duplex
R34 (4.7K),Isolate
R37 (4.7K),LDPS



RTL8211B:R23 (4.7K),R25 (4.7K),R27 (4.7K),
R29 (4.7K),R31 (4.7K),R32 (4.7K),
R34 (4.7K),CONFIG FOR ALL
CAPABILITY,PREFER SLAVE MODE