

RTL8211DG-VB/8211EG-VB Schematic

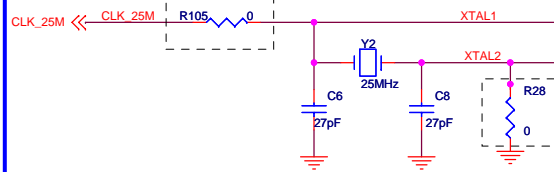
REV.1.8

Page	Index
1.	Title Page
2.	PHY
3.	MDI
4.	CMC
5.	Power
6.	History

Title		
RTL8211DG/8211EG		
Size	Document Number	Rev
A3		1.8
Date:		Sheet 1 of 6

External clock and Crystal

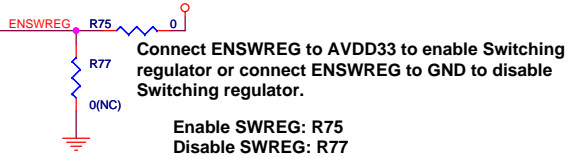
External clock source from OSC or Chipset.



If use external clock then the XTAL2 need connect to GND for RTL8211EG.
R28 NC for RTL8211DG

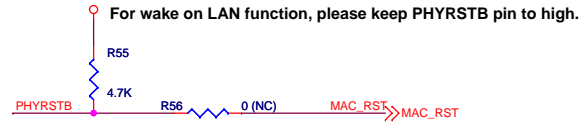
Enable/Disable SWREG

AVDD33



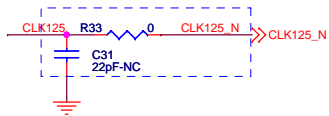
PHY Reset

DVDD33



Output Clock

Place filter network close to CLK125.
Reserved for EMI

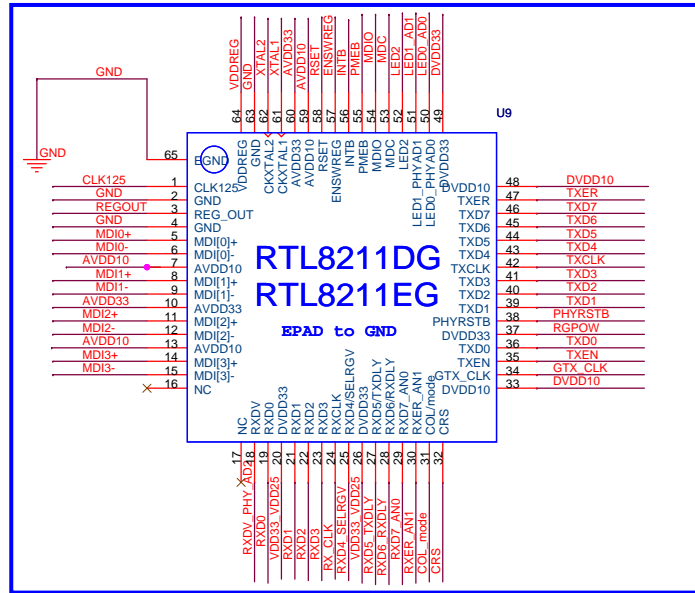


WOL & Interrupt

DVDD33



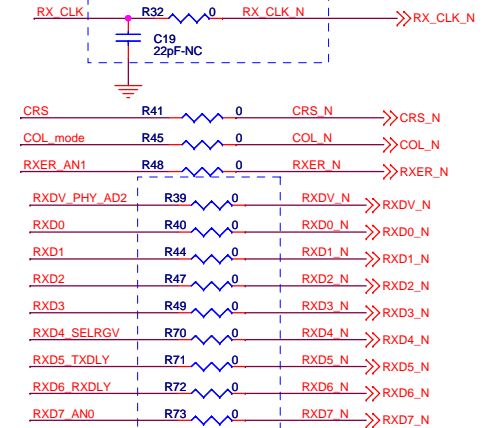
RTL8211DG/8211EG



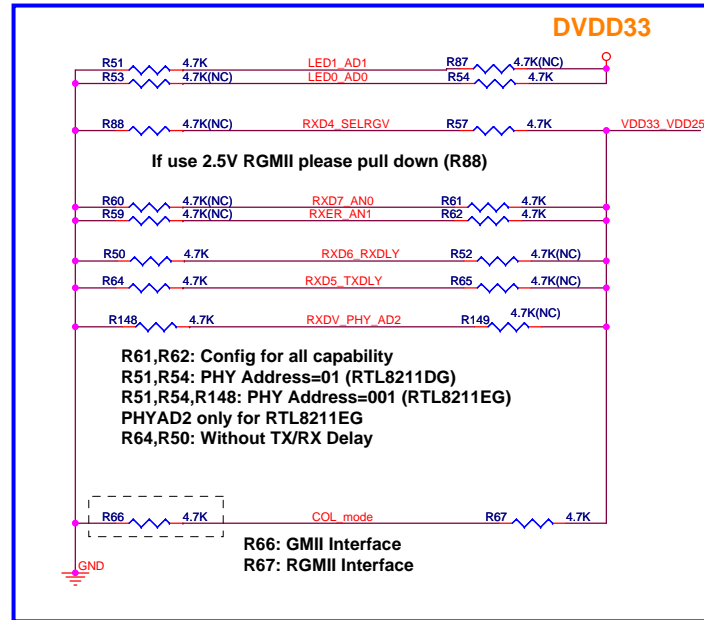
GMII/RGMII Interface

If MAC does not support TXER,
the TXER pin must connect to GND.

Place filter network close to RX_CLK.
Reserved for EMI

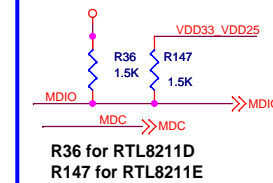


Configuration Setting

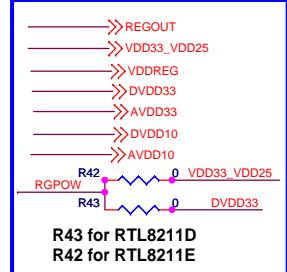


MDC/MDIO

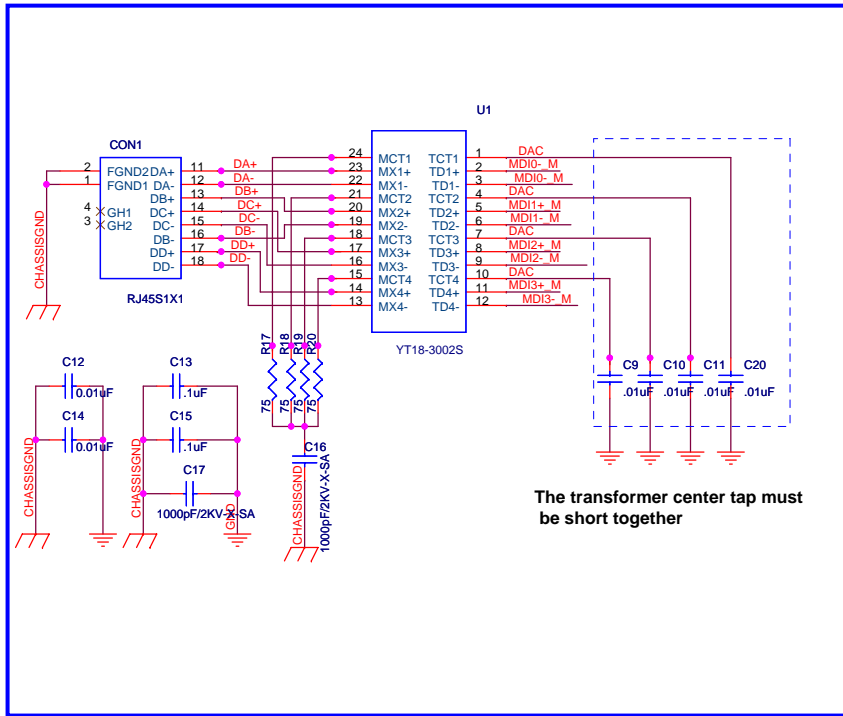
DVDD33



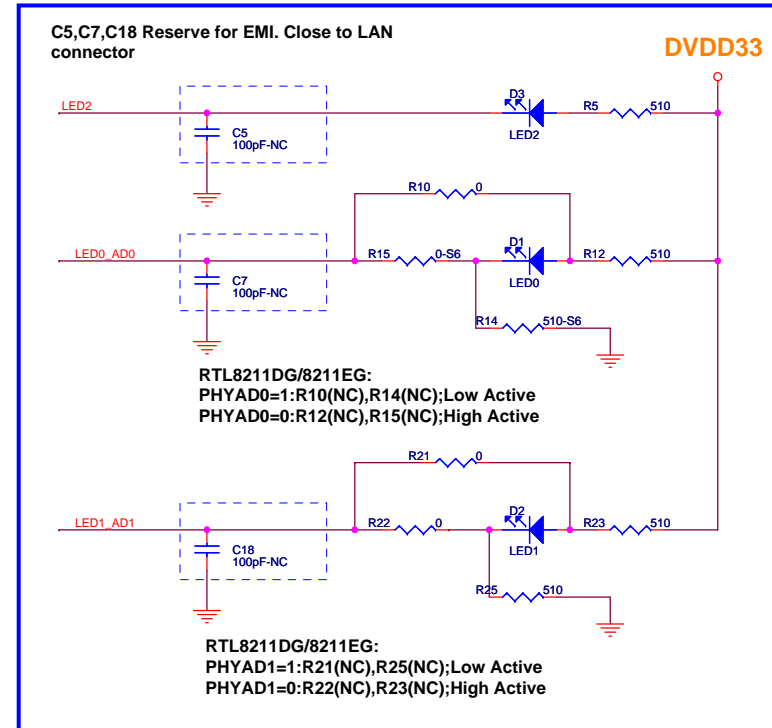
Power



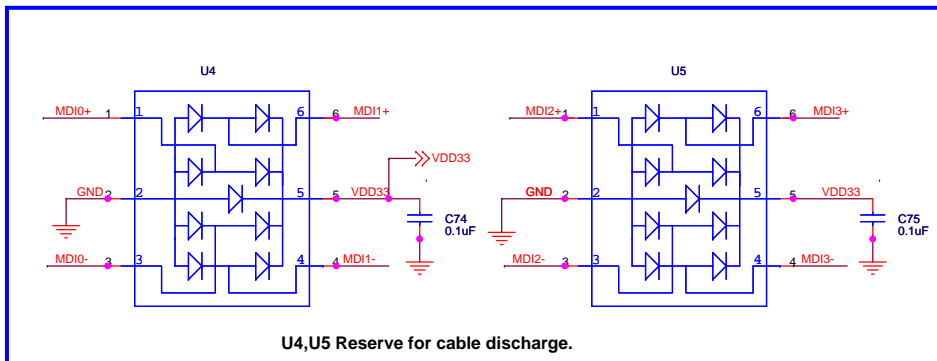
RJ45 & Transformer



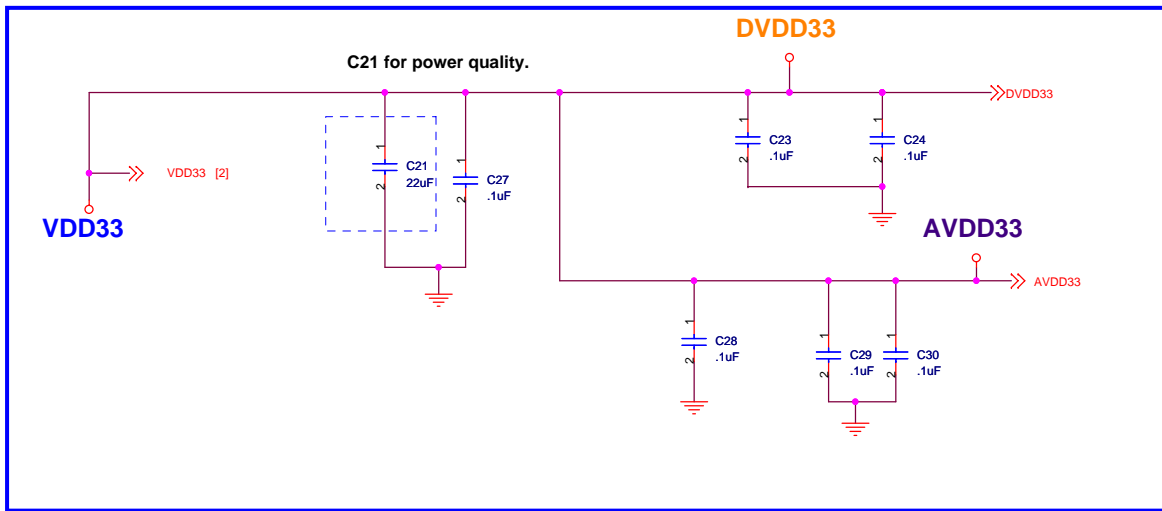
LED



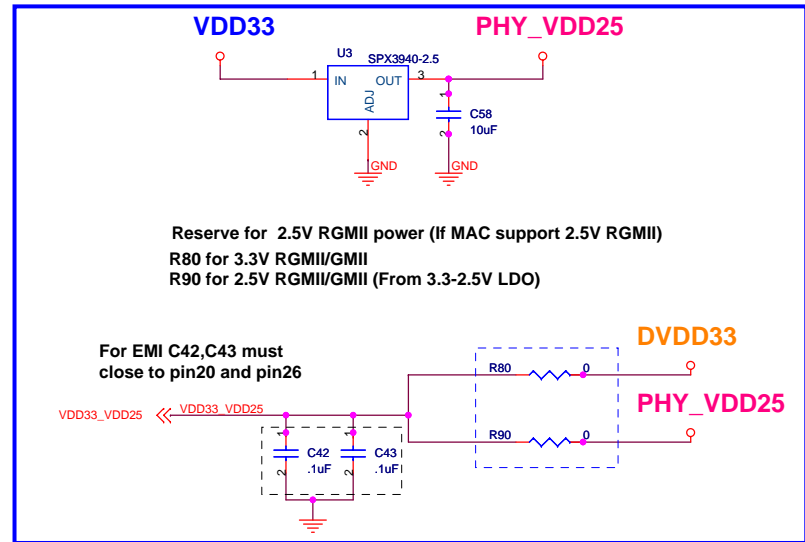
TVS



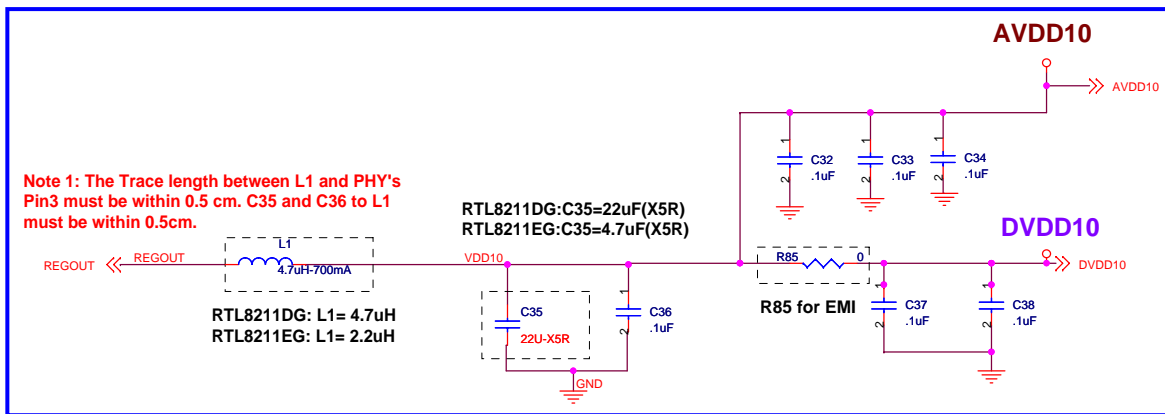
3.3V Power



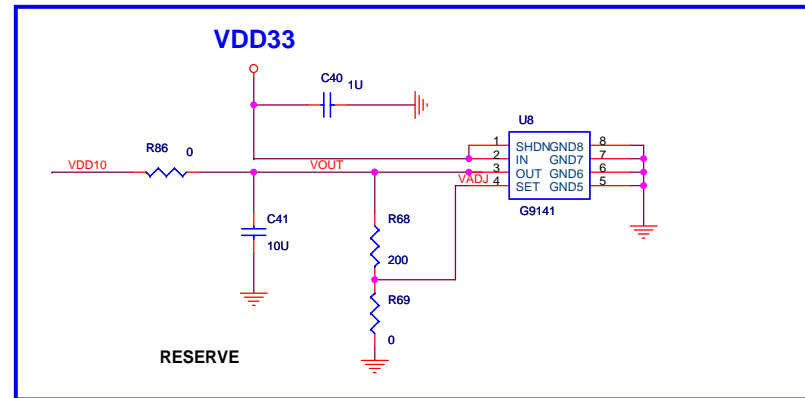
3.3/2.5V GMII/RGMII Power



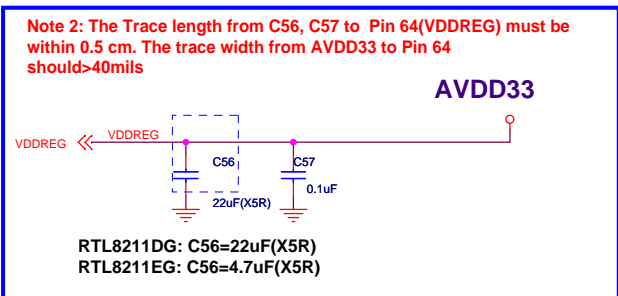
1.05V Power



External Power Source (1.05V)

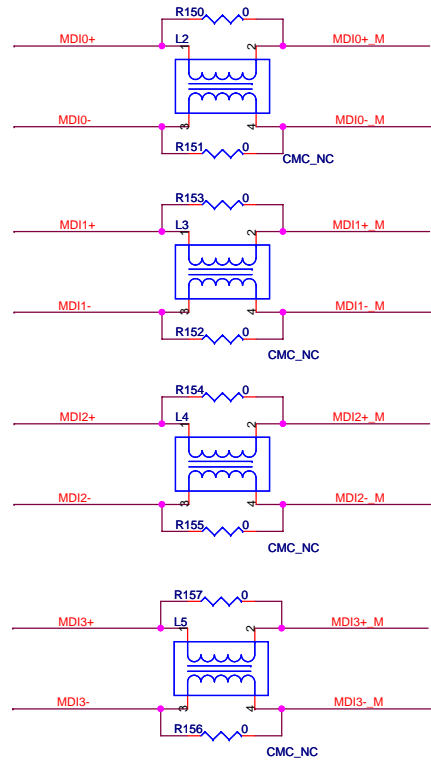


VDDREG



Title			RTL8211DG/8211EG		
Size	Document Number				Rev
A3	POWER				1.8
Date:	Sheet 4 of 6				

Common mode choke (Option)



L2,L3,L4,L5 Reserve for EMI, close to transformer.

Title		RTL8211DG/8211EG	
Size	Document Number	Rev	
A3	CMC	1.8	
Date:	Sheet	4	of 6

History

Version	Date	
V1.0	2009.11.03	First release
V1.1	2009.11.11	Modify 2.5V config pins
V1.2	2010.02.04	Add Cap. at pin20 and pin26 (RGMII/GMII power pins)
V1.3	2010.08.09	Add TXC/GTXC note
V1.4	2010.12.03	Modify MDIO and PHYAD2 for RTL8211EG
V1.5	2011.1.30	Remove ACR page
V1.6	2011.3.22	Add common mode choke for EMI Modify XTAL2 for RTL8211D
V1.7	2011.4.22	Modify transformer pin name
V1.8	2011.5.2	Modify pin37 for RGMII 2.5V application

Title		
RTL8211DG/8211EG		
Size	Document Number	Rev
A3		1.8
HISTORY		
Date:	Sheet	6 of 6