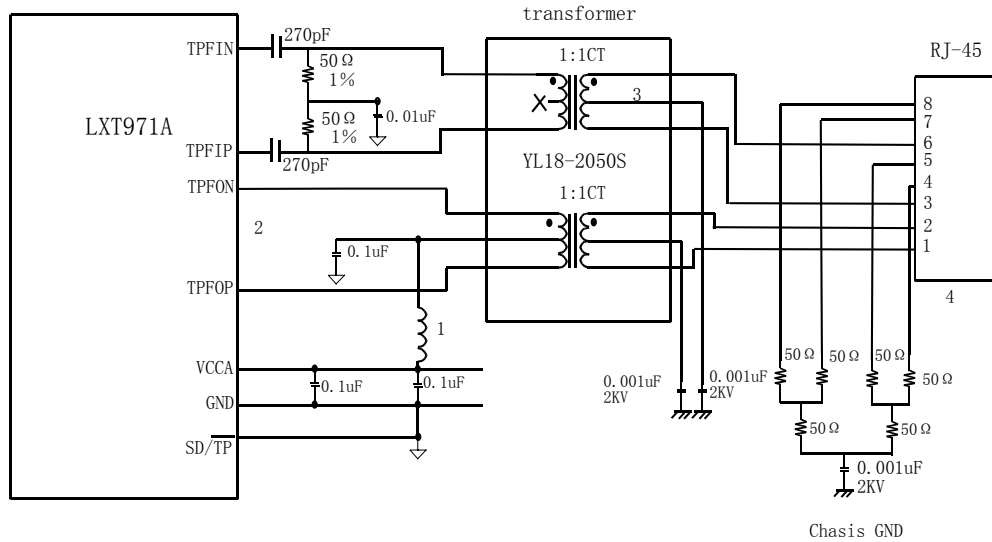


Typical Twisted-Pair Interface-NIC



1. Center-tap current may be supplied from 3.3V VCCA as shown. Additional power savings may be realized by supplying the center-tap from a 2.5V current source. A separate ferrite bead (rated at 50mA) should be used to supply center-tap current.
2. The 100ohm transmit load termination resistor typically required is integrated in the LXT971A.
3. Magnetics without a receive pair center-tap do not require a 2 kV termination.
4. RJ-45 connections shown for standard NIC. TX/RX crossover may be required for reperter and switch applications.

注：网络变压器 YL18-2050S 是裕泰电子公司的。

联系方式：0086-574-63620701

EMAIL: nico_yu@yeah.net

Http://www.yutai-elec.com