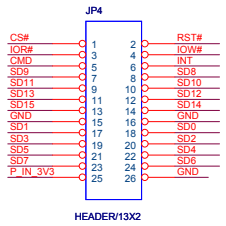
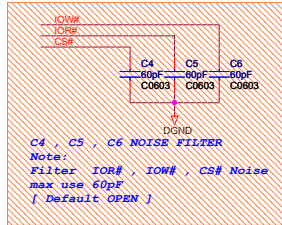


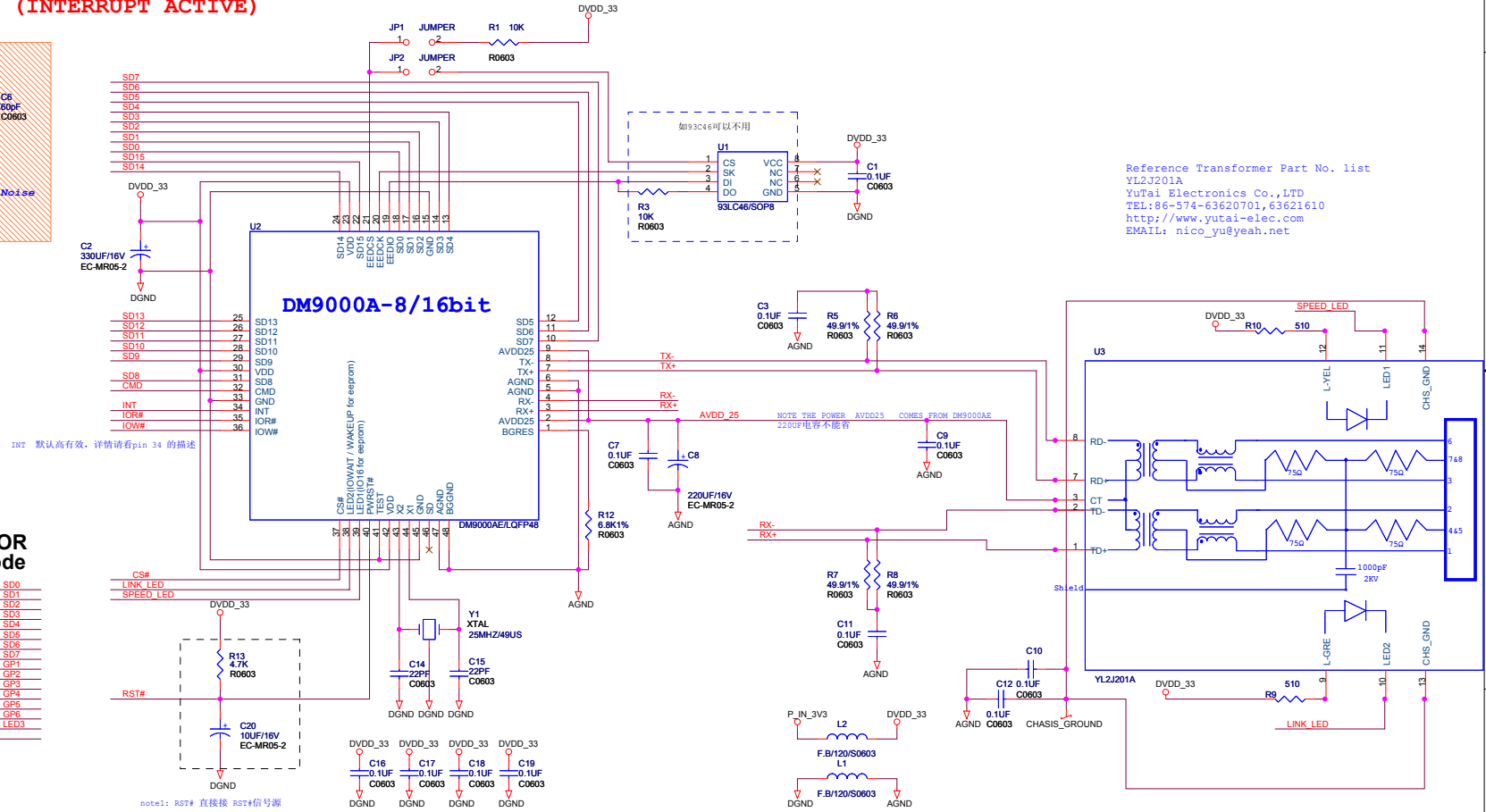
RST# LOW ACTIVE (POWER RESET)
CS# LOW ACTIVE (CHIP SELECT)
IOR# LOW ACTIVE (IO DATA READ)
IOW# LOW ACTIVE (IO DATA WRITE)
INT HIGH ACTIVE (INTERRUPT ACTIVE)

JP1 ON : USE 8 Bit MODE
 OFF : USE 16 Bit MODE
JP2 ON : USE EEPROM
 OFF : NOT USE EEPROM



DATA BUS CONNECTOR

16 Bit Mode		8 Bit Mode	
SD0	SD0	SD0	SD0
SD1	SD1	SD1	SD1
SD2	SD2	SD2	SD2
SD3	SD3	SD3	SD3
SD4	SD4	SD4	SD4
SD5	SD5	SD5	SD5
SD6	SD6	SD6	SD6
SD7	SD7	SD7	SD7
SD8	SD8	SD8	GP1
SD9	SD9	SD9	GP2
SD10	SD10	SD10	GP3
SD11	SD11	SD11	GP4
SD12	SD12	SD12	GP5
SD13	SD13	SD13	GP6
SD14	SD14	SD14	LED3
SD15	SD15	WAKE	SD15



Reference Transformer Part No. list
 YL2J201A
 Yutai Electronics Co.,LTD
 TEL:86-574-63620701,63621610
 http://www.yutai-elec.com
 EMAIL: nico_yu@yeah.net

Preliminary (for Reference Only)

Title			
DAVICOM Semiconductor Inc.			
Size	Document Number	Rev	
Custom	DM9000A-8/16bit TX AUTO-MIDX	2.0	
Date:	Thursday, June 02, 2011	Sheet	1 of 1