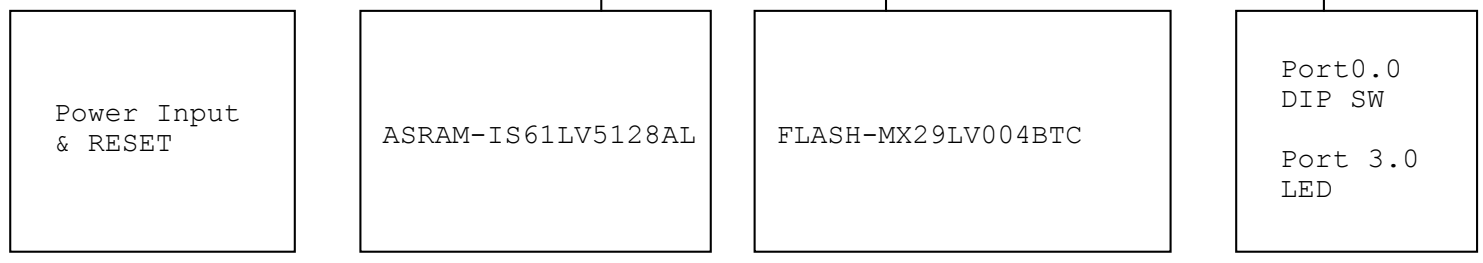
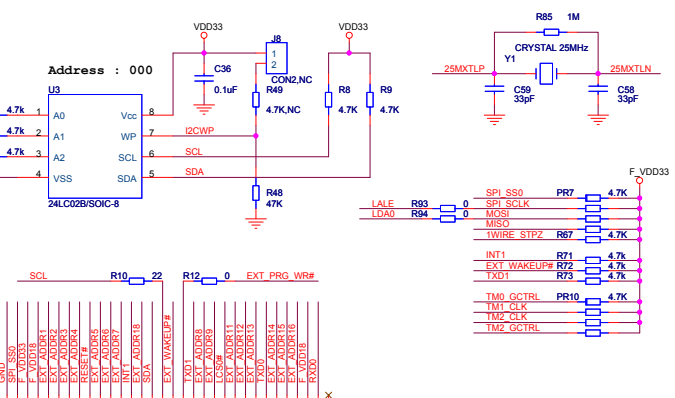
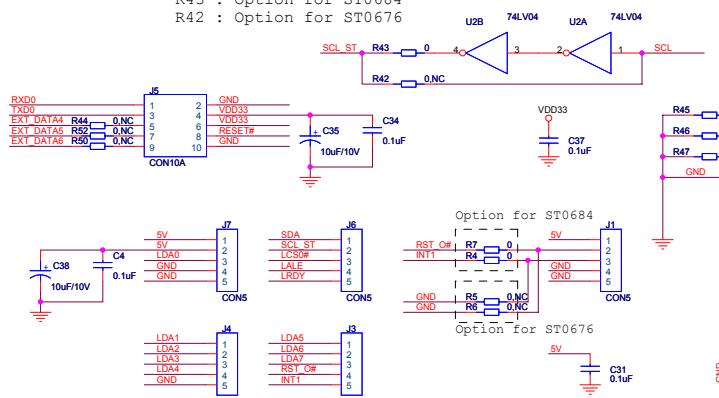


Page 4 for Flash download only.



ASIX ELECTRONICS CORPORATION		
Title AX8811015 IP-CAM Demo Board		
Size A	Document Number AX11015-IP-CAM-V2	Rev 2.01
Date:	Tuesday, February 02, 2010	Sheet 1 of 5

R43 : Option for ST0684  
R42 : Option for ST0676



System CLK Select  
00 : 25MHZ 01 : 50MHZ(V)  
10 : Don't use 11 : 100MHZ

Ext\_Prog\_Sram\_En  
0 : Disable(V) 1 : Enable

Local Bus Mode  
0 : Master(V) 1 : Slave

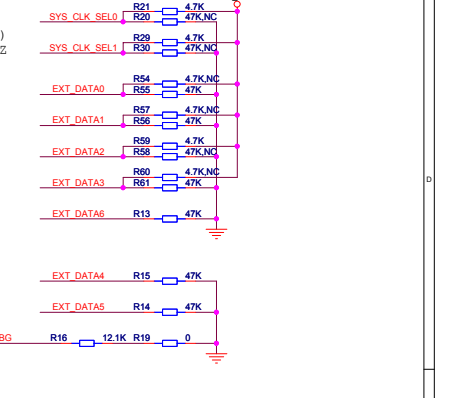
Sync Bus  
0 : Async 1 : Sync(V)

Test SpeedUp  
0 : Normal(V) 1 : Enable

I2C Boot Disable  
0 : Normal(V) 1 : Disable

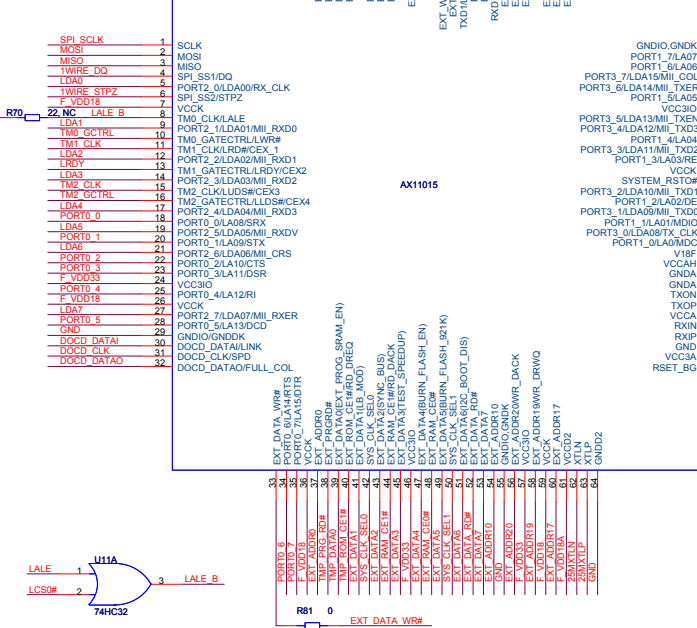
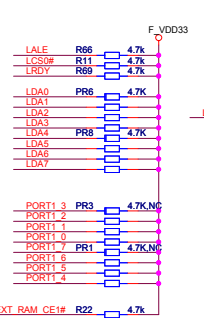
Burn Flash En  
0 : Disable(V) 1 : Enable

Burn Flash 921K  
0 : 115200 1 : 921K(V)



J1.2 and J1.3 Normal setting for ST0684  
J1.2 and J1.3 Modify to GND for ST0676

LDA0/DP0/SPI\_MOSI  
LDA1/DP1/NC  
LDA2/DP2/NC  
LDA3/DP3/NC  
LDA4/DP4/NC  
LDA5/DP5/NC  
LDA6/DP6/NC  
LDA7/DP7/NC  
LALE/DP8/SPI\_CLK  
LRDY/DP9/SPI\_RDY  
LCS0#/NC/SPI\_CS  
SCL1/SCL1/SCL  
SDA/SDA/SDA  
RST\_O#/RESET#/NC



NO FLASH  
TMP\_PRG\_RD#(R76)  
TMP\_DATA0(R78)  
TMP\_ROM\_CEI#(R80)

USE FLASH  
TMP\_DATA0(R77)  
TMP\_DATA0(R79)  
TMP\_PRG\_RD#(R75)

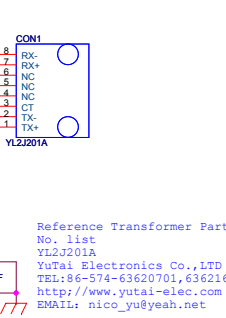
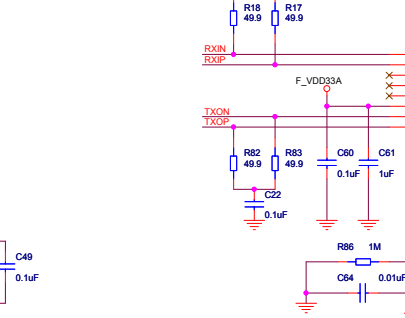
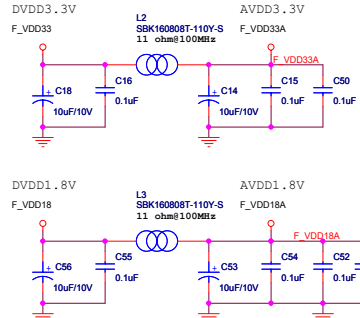
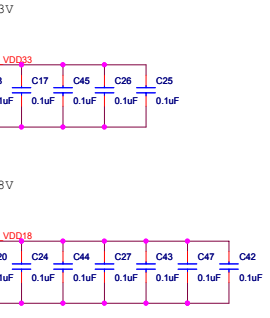
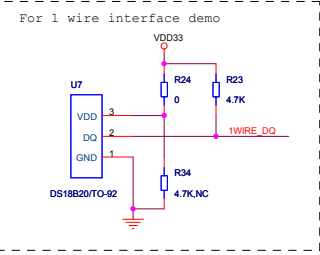
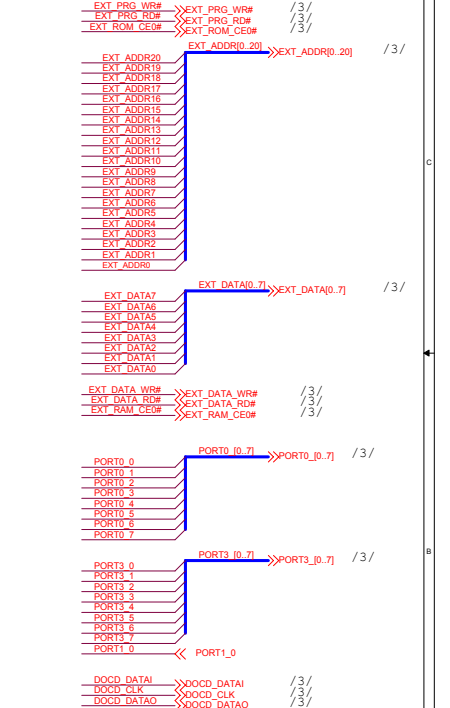
SW DIP-4  
SW DIP-4

S1.1-8 Burn Flash En  
On : Enable Off : Disable

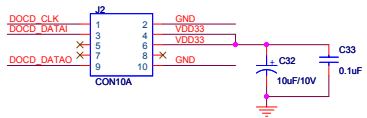
S1.2-7 Burn Flash 921K  
On : 921k Off : 115200

S1.3-6 I2C Boot Disable  
On : Disable Off : Normal

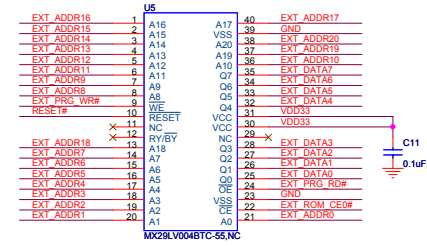
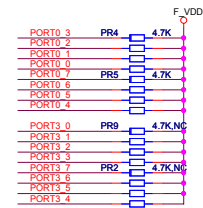
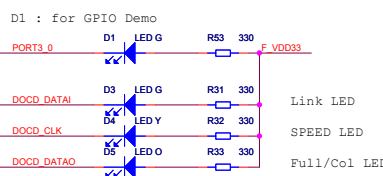
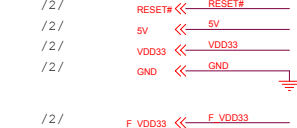
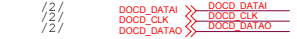
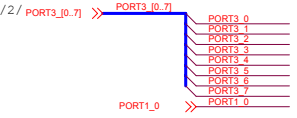
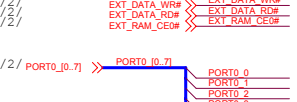
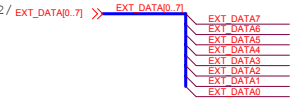
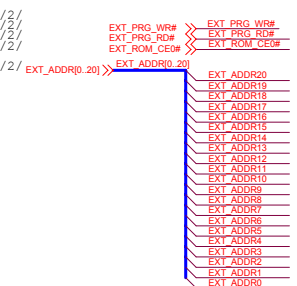
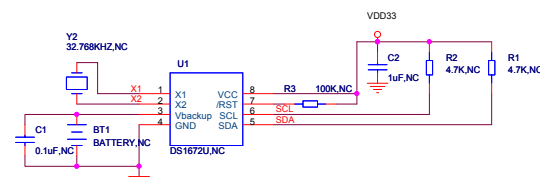
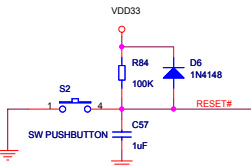
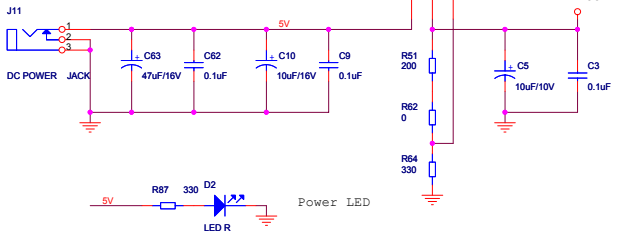
S1.4-5 Port0.0 Pull-Down  
On : Pull-Down Off Pull-Up



Reference Transformer Part No. list  
YLZJ201A  
YuTai Electronics Co.,LTD  
TEL:86-574-63620701,63621610  
http://www.yutai-elec.com  
EMAIL: nicco\_yu@yeah.net



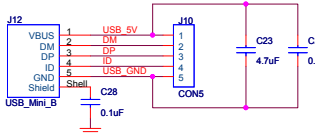
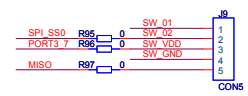
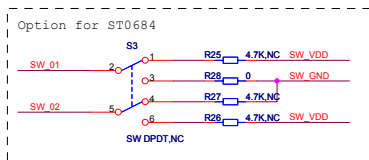
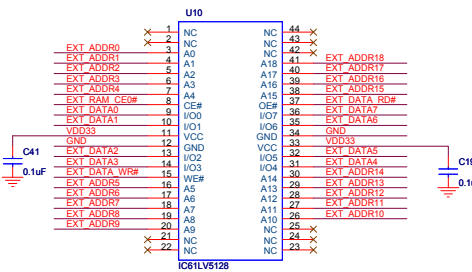
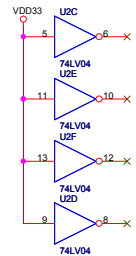
**DC 5.0V/1.2A Power Input**

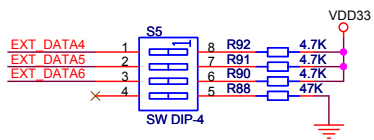


AX11015 Pin Name I/O Stv0684 Digiport SPI Bus

LCS0_N	I	SFP130
LALe	I	SFP3
LDA[0]	I	SFP2
LRDY	O	SFP50
SS0	I	SFP51
SCLK	I	SFP2
MOSI	I	SFP3
MISO	O	SFP1
P3.7	O	SFP49

SW\_01 CONNECT TO SW302.1 (SHUTTER#) (Stv0684)  
 SW\_GND CONNECT TO SW302.2 (GND) (Stv0684)



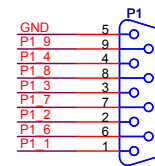
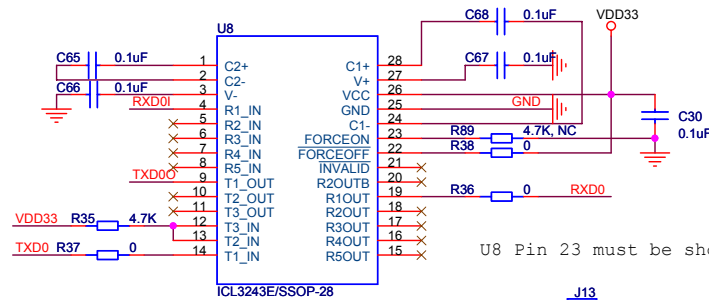


S5.1-8 Burn Flash En  
On : Enable Off : Disable

S5.2-7 Burn Flash 921K  
On : 921k Off : 115200

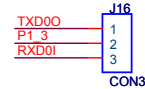
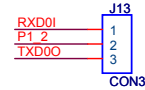
S5.3-6 I2C Boot Disable  
On : Disable Off : Normal

S5.4-5 Port0.0 Pull-Down  
On : Pull-Down Off Pull-Up

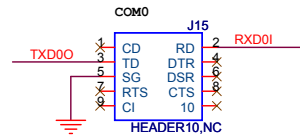
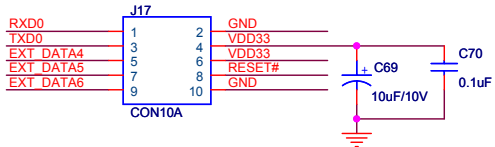
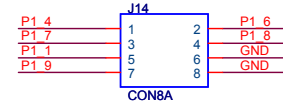


CONNECTOR DB9-M

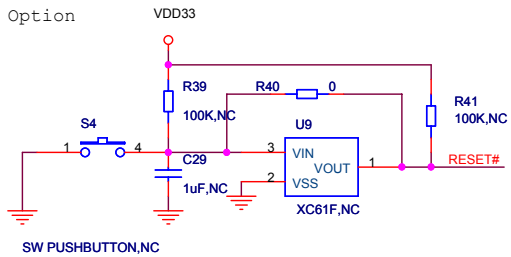
U8 Pin 23 must be short to Pin 22.



Option for null modem



Normal : J13.1 and J13.2 must be shorted  
Null modem : J16.1 and J16.2 must be shorted  
J16.2 and J16.3 must be shorted  
J14.1 and J14.2 must be shorted  
J14.3 and J14.4 must be shorted  
J14.5 and J14.6 must be shorted  
J14.7 and J14.8 must be shorted



ASIX ELECTRONICS CORPORATION		
Title AX8811015 IP-CAM Demo Board		
Size B	Document Number AX11015-IP-CAM-V2	Rev 2.01
Date: Tuesday, February 02, 2010	Sheet 4	of 5

History

V2.00 Init

V2.01 Add AUDIO schematic

1. Add U11 and R93,R94,R95,R96,R97
2. Modify R70 to disconnect
3. Connect LALE to U11.1  
    Connect LCS0# to U11.2  
    Connect U11.3 to U6.8
4. Connect LALE to R93.1  
    Connect R93.2 to U6.1
5. Connect LDA0 to R94.1  
    Connect R94.2 to U6.2
6. Connect J9.2 to R95.2  
    Connect R95.1 to U6.127
7. Connect J9.3 to R96.2  
    Connect R96.1 to U6.93
8. Connect J9.5 to R97.2  
    Connect R97.1 to U6.3

ASIX ELECTRONICS CORPORATION		
Title AX8811015 IP-CAM Demo Board		
Size A	Document Number AX11015-IP-CAM-V2	Rev 2.01
Date:	Tuesday, February 02, 2010	Sheet 5 of 5