

Isolation Transformers For 10Base-T

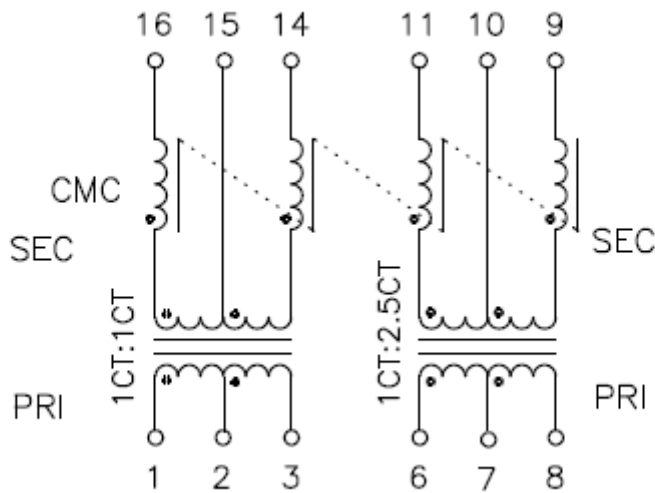
Features:

- Designed to Meet or Exceed IEEE 802.3 ,10Base-T Specifications
- Low profile,surface mount packaging rated to 225°C
- Operating temperature 0°C to 70°C
- Isolation Voltage:1500Vrms
- Contact YuTai for Farther Requirement

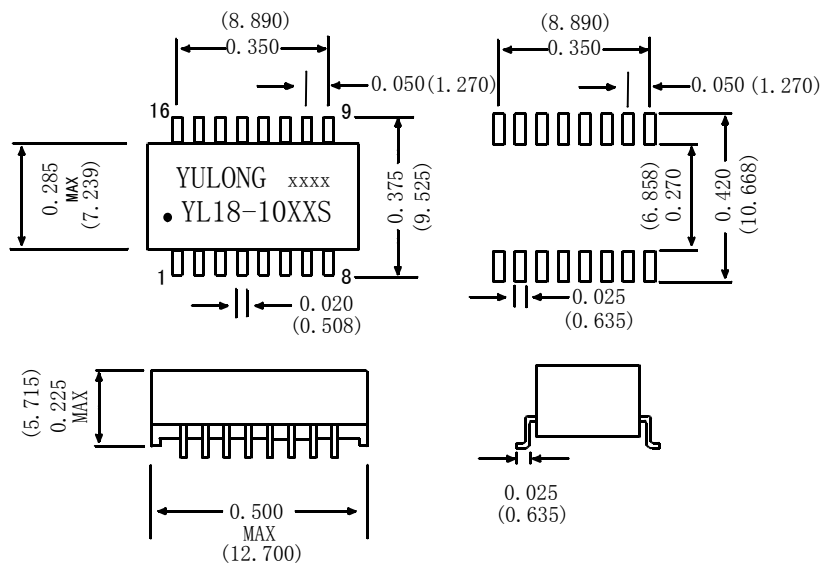
Electrical Specifications @ 25°C

Part Number	Turn Ratio (1-3):16-14)/(6-8)/(11-9)	Pri OCL uH Min	Cw/w (pF max)	LI uH max	DCR (Ω max)
YL18-1080S	1CT:1CT/1CT:2.5CT	200	15	0.4	0.3

Schematics



Mechanicals



NOTE:Dimensions:inches/(mm) unless otherwise specified all tolerances are ±0.010(0.25)